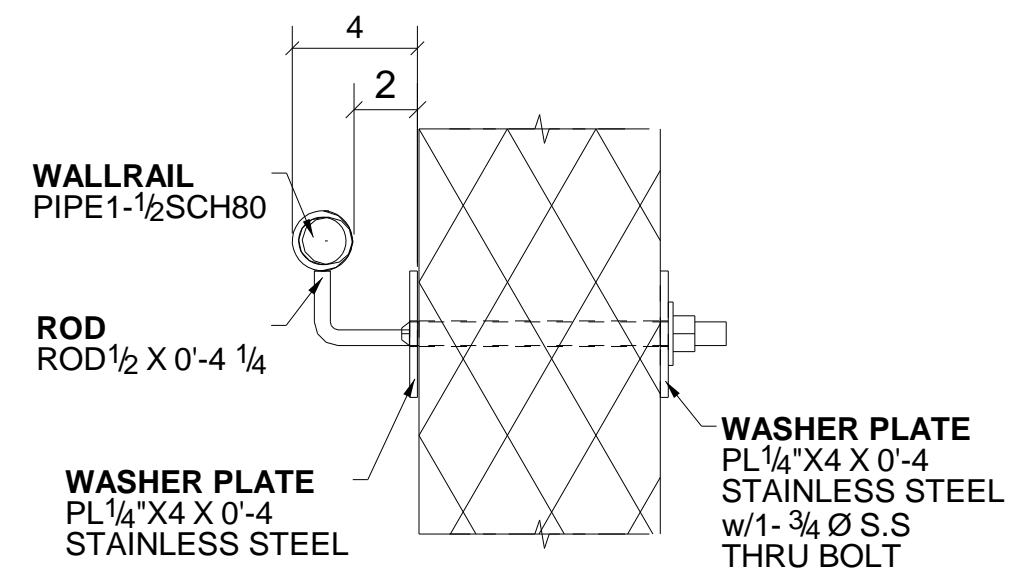
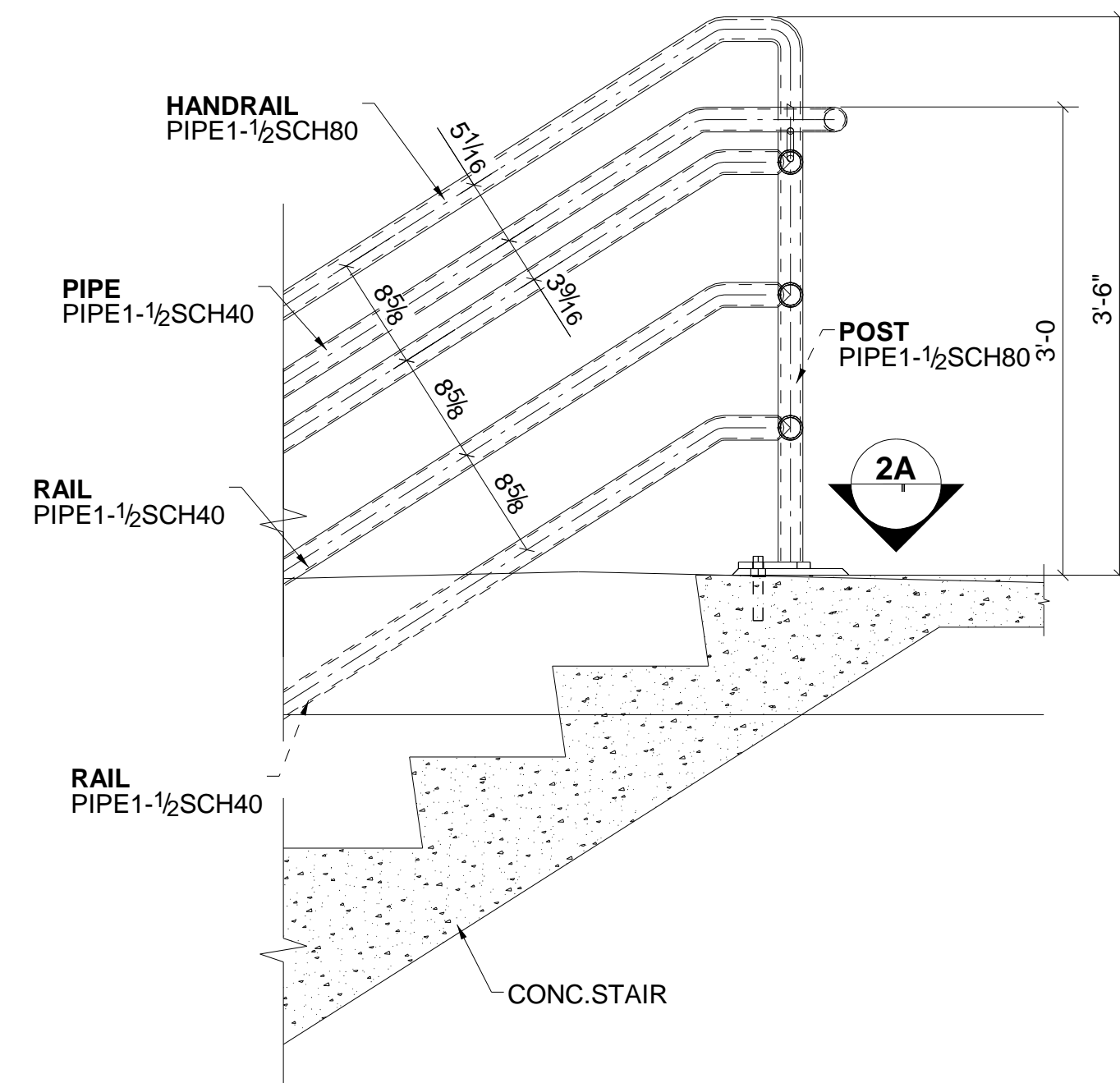


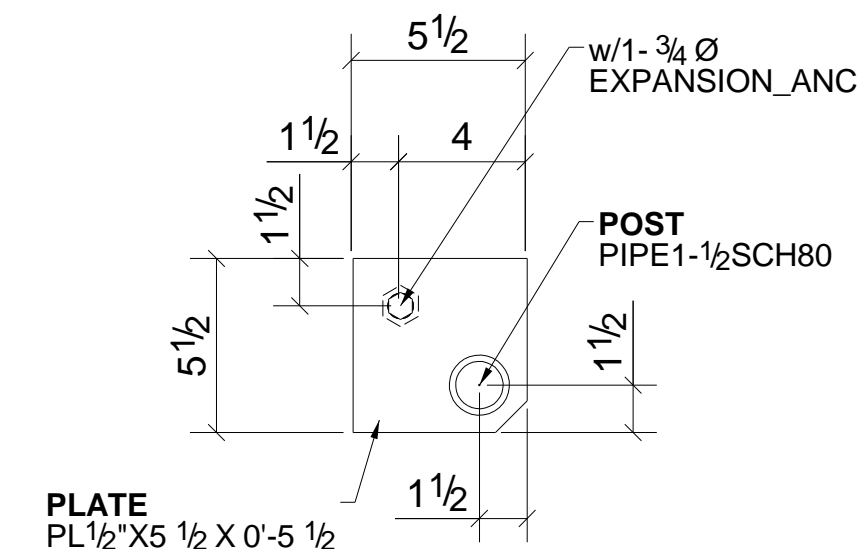
DETAIL 1
REF DWG.NO: 1/TT402



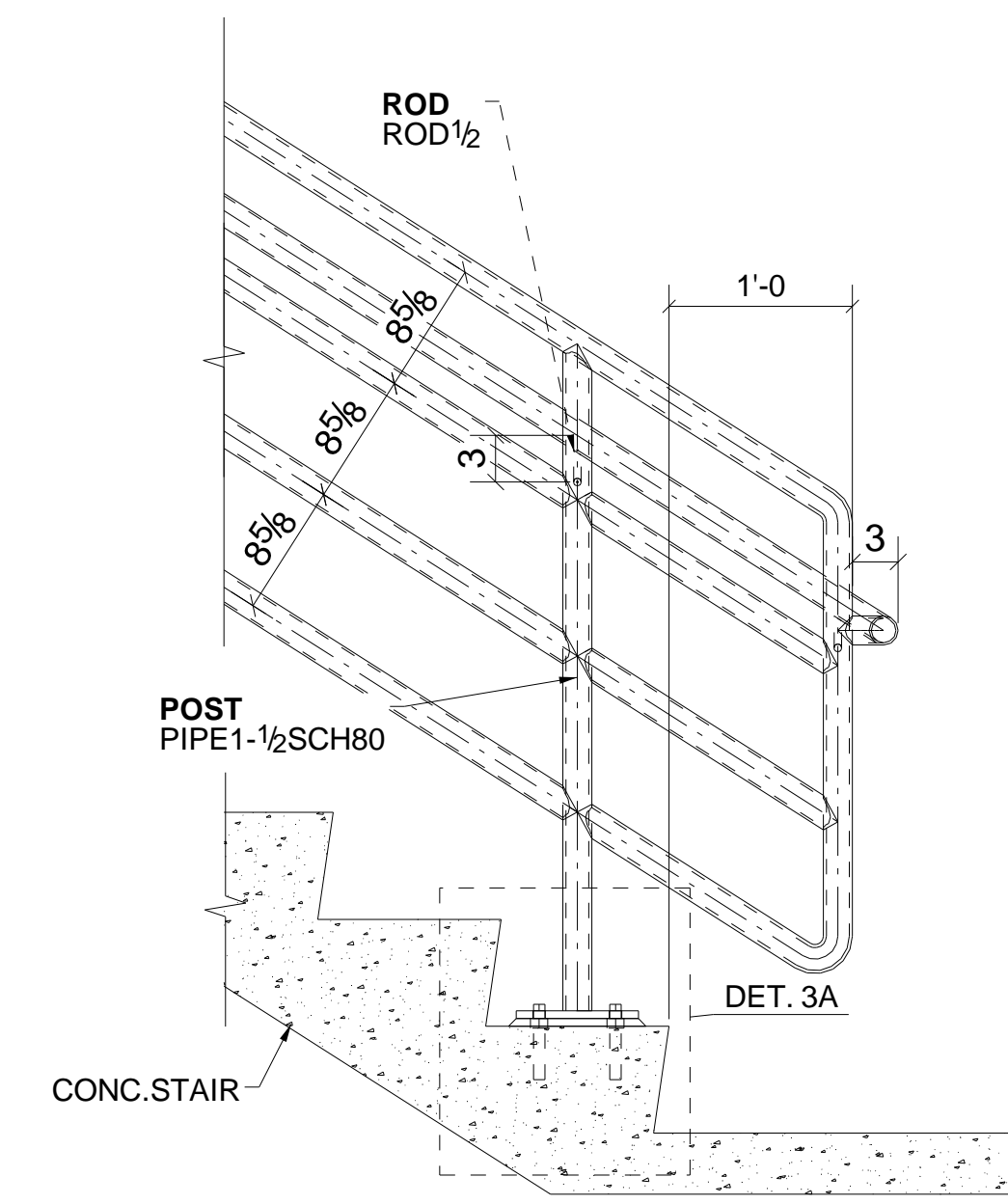
1A SECTION



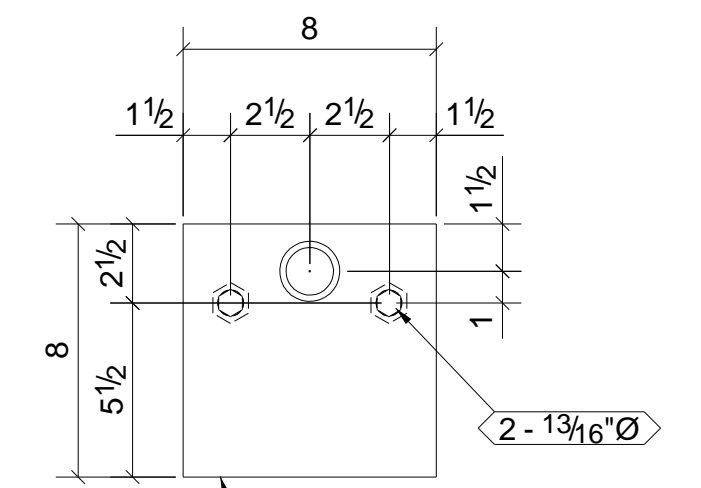
DETAIL 2



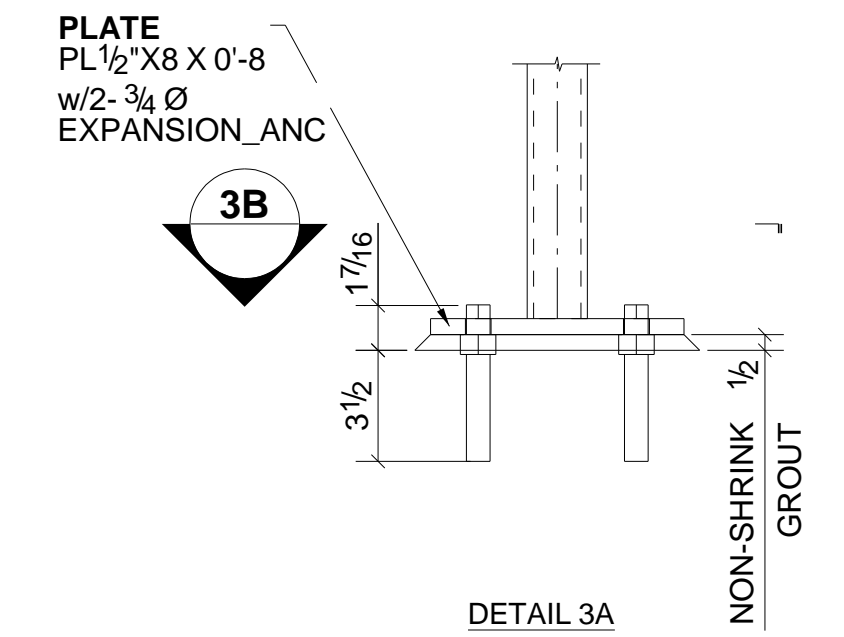
2A SECTION



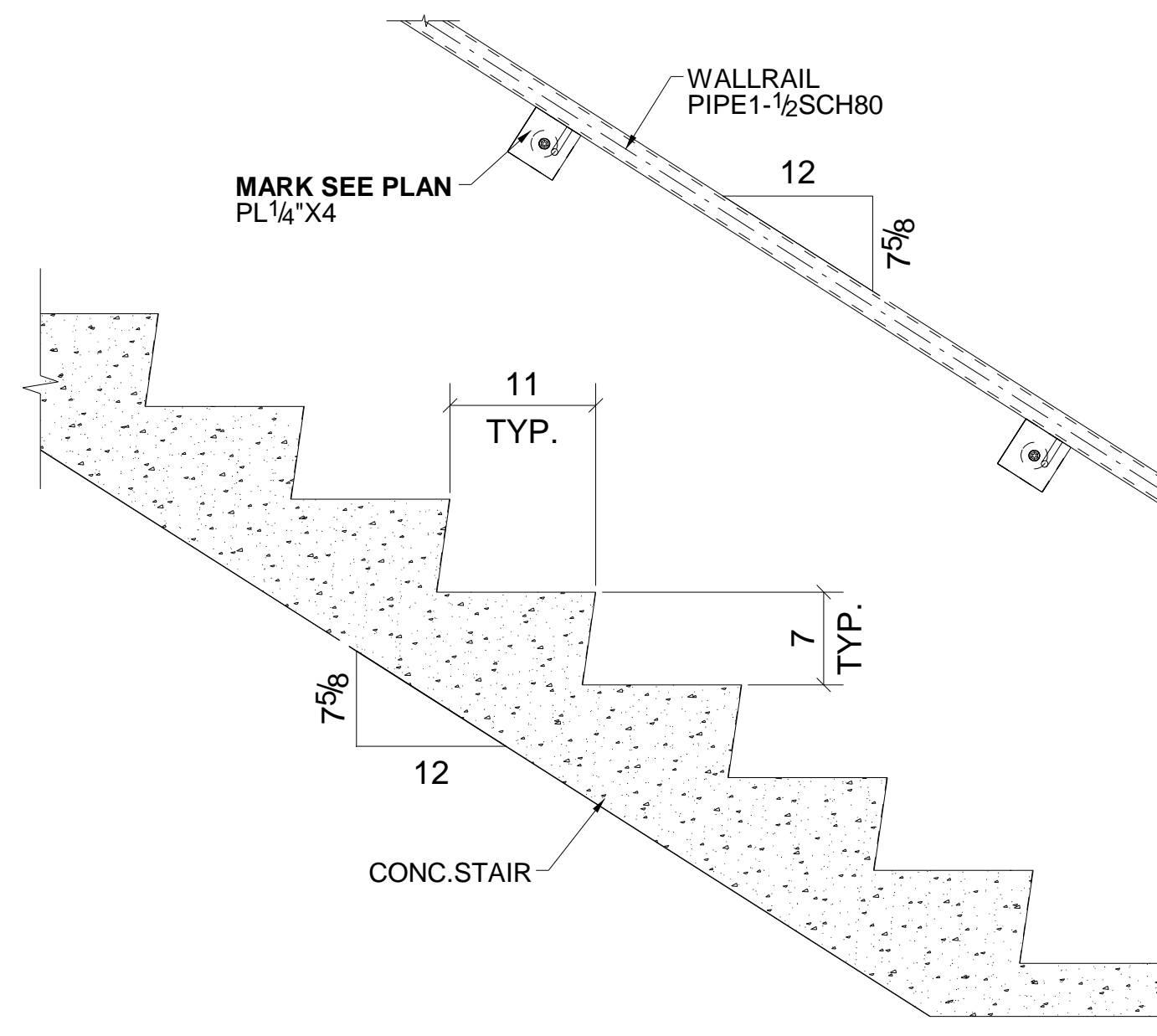
DETAIL 3
REF DWG.NO: 2/TT402



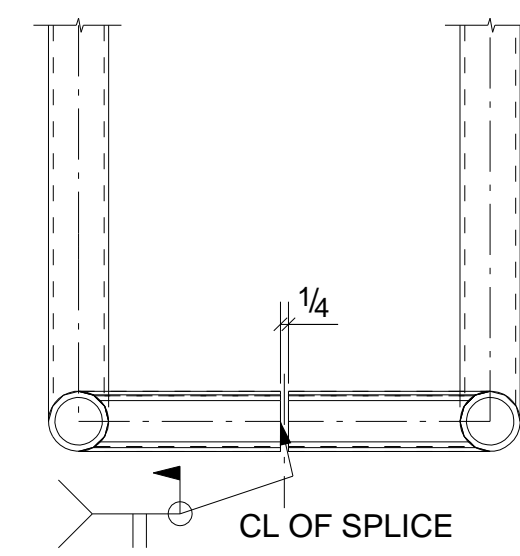
3B SECTION



DETAIL 3A



DETAIL 4



TYPICAL SPLICE CONNECTION