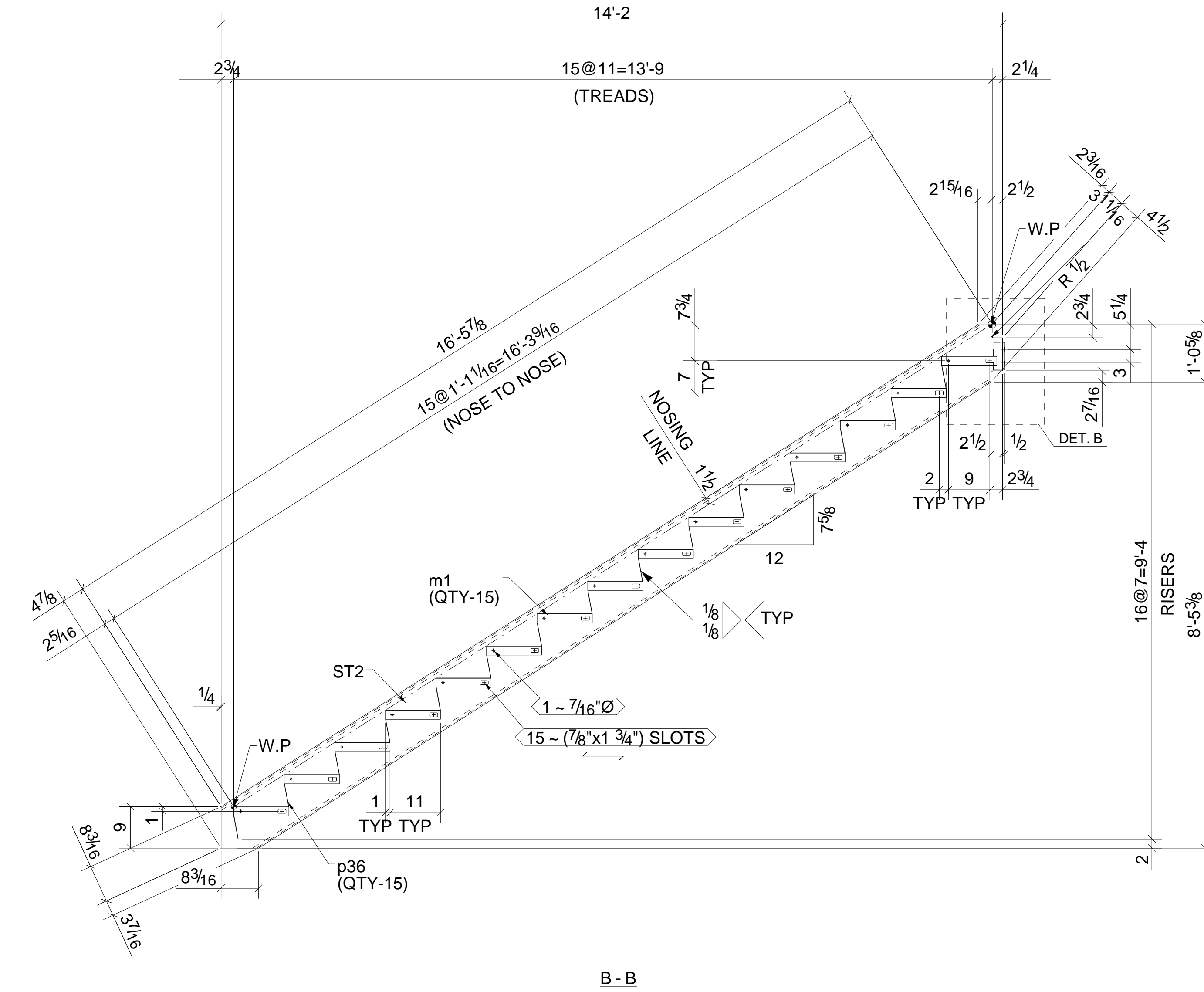
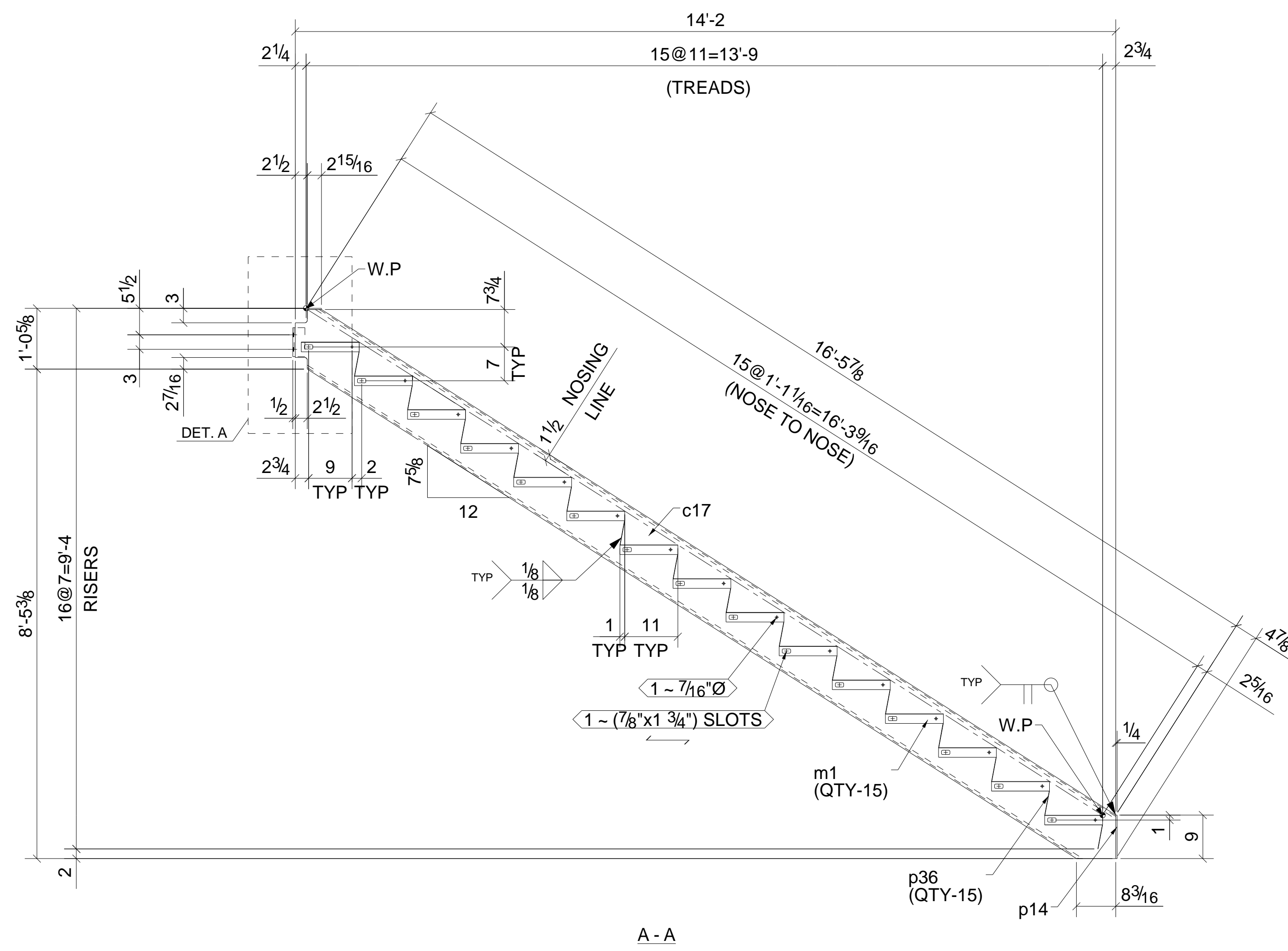
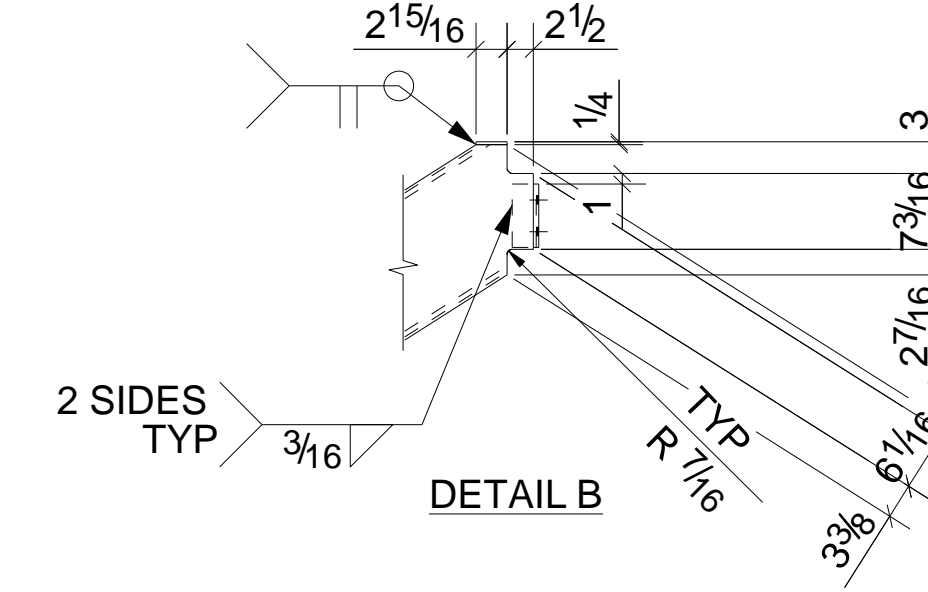
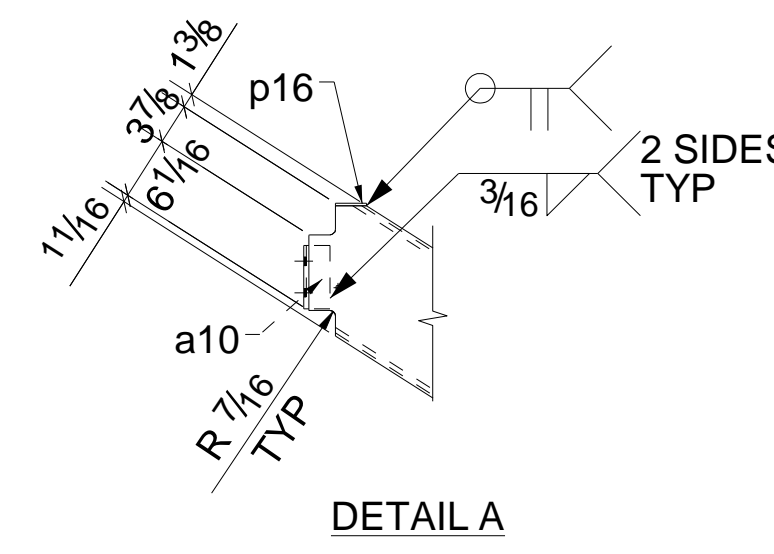
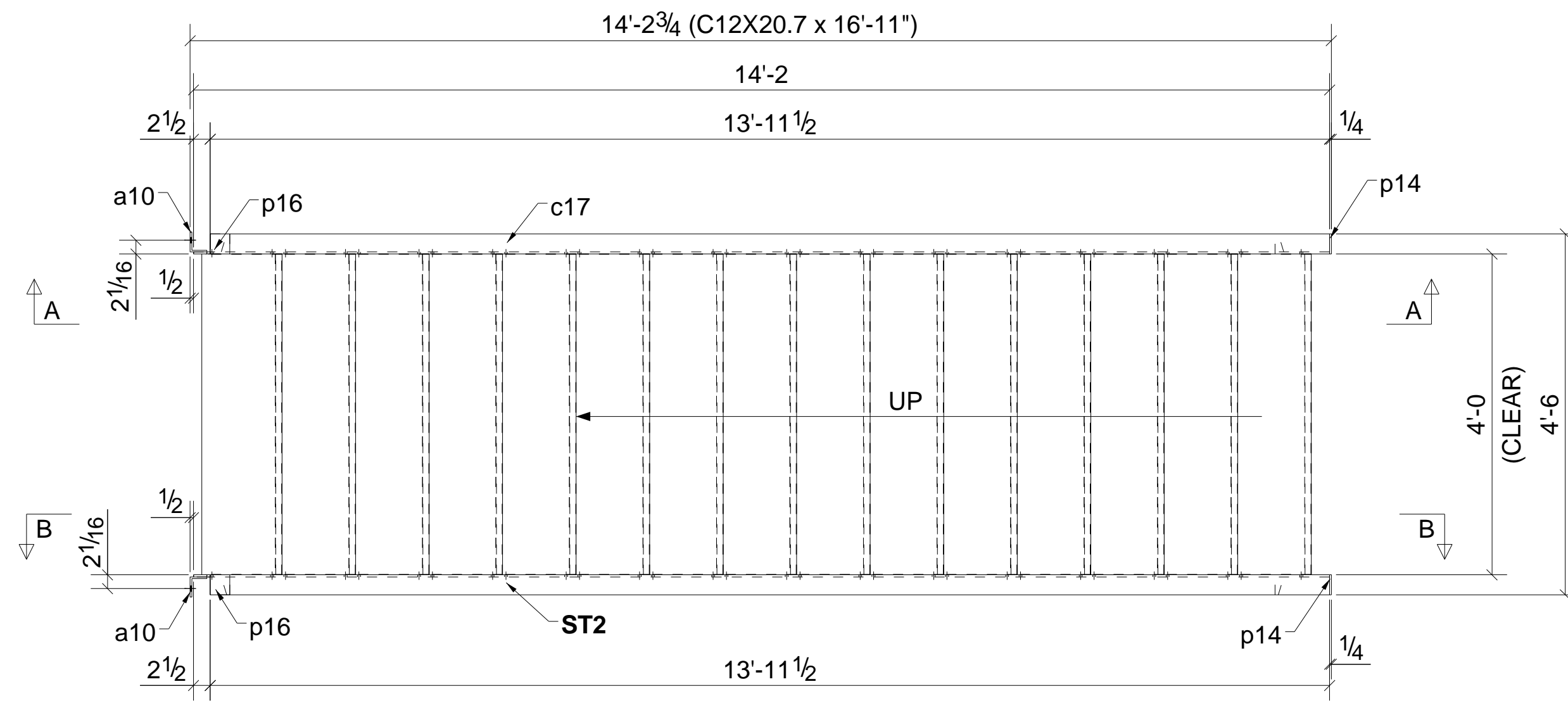


# BILL OF MATERIAL

MARK	QTY	DESCRIPTION	LENGTH	WEIGHT	REMARKS
ST2	3	STRINGERS			BEV-2
ST2	3	C12X20.7	16'-11"	1050	A36
a10	6	L3X2-1/2X1/4	0'-6"	13	A36
c17	3	C12X20.7	16'-11"	1050	A36
m1	45	0		0	
p14	6	PL1/4"X3"	0'-9"	12	A36
p16	6	PL1/4"X2 15/16"	0'-3"	4	A36
p36	45	SHT12GAX5 1/8"	4'-0"	195	A36
	180	1/2"Ø A325N BOLT	0'-1 1/4"	32	Workshop
TOTAL WEIGHT THIS DRAWING				2356	



3 - STRINGERS - ST2