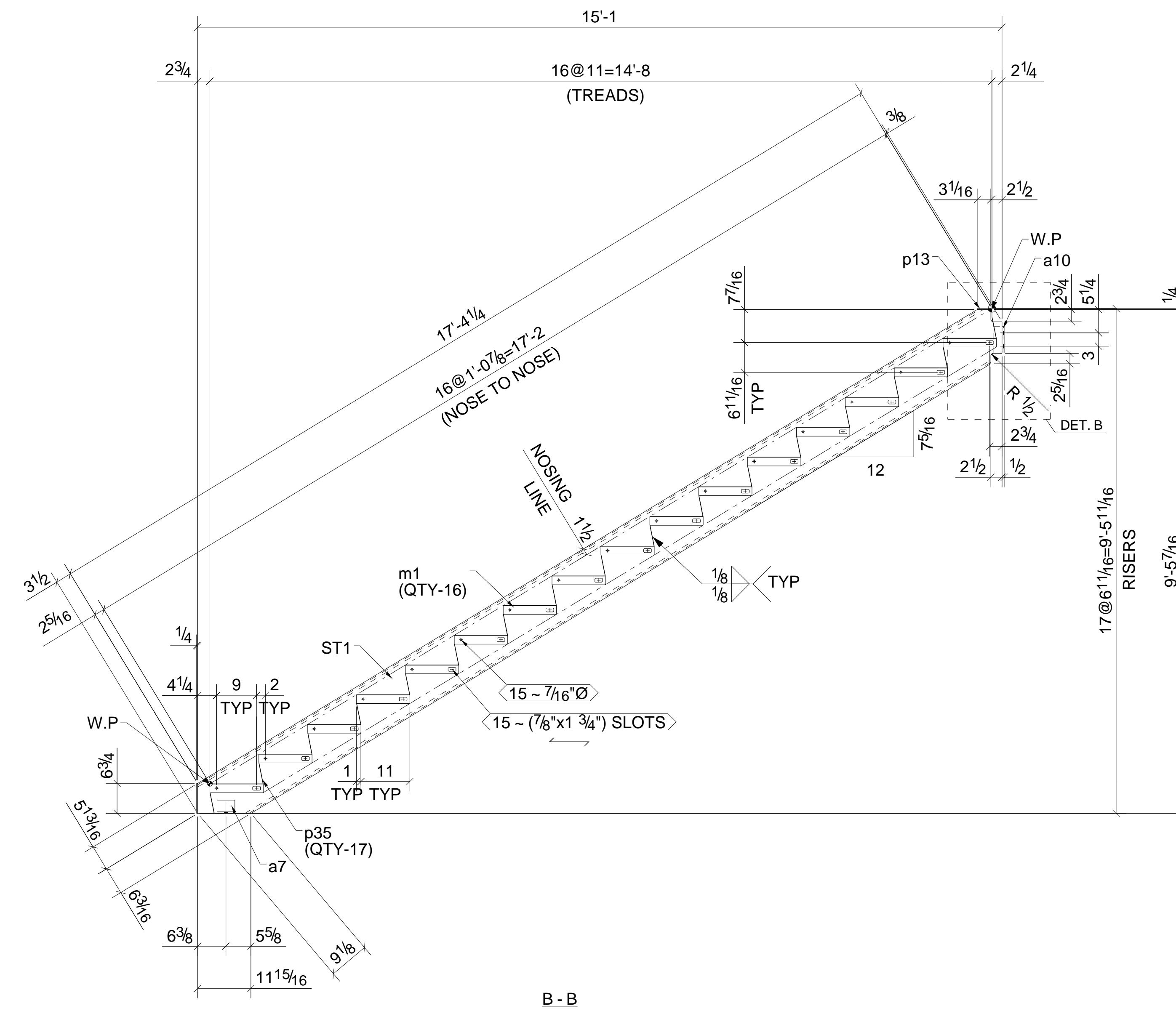
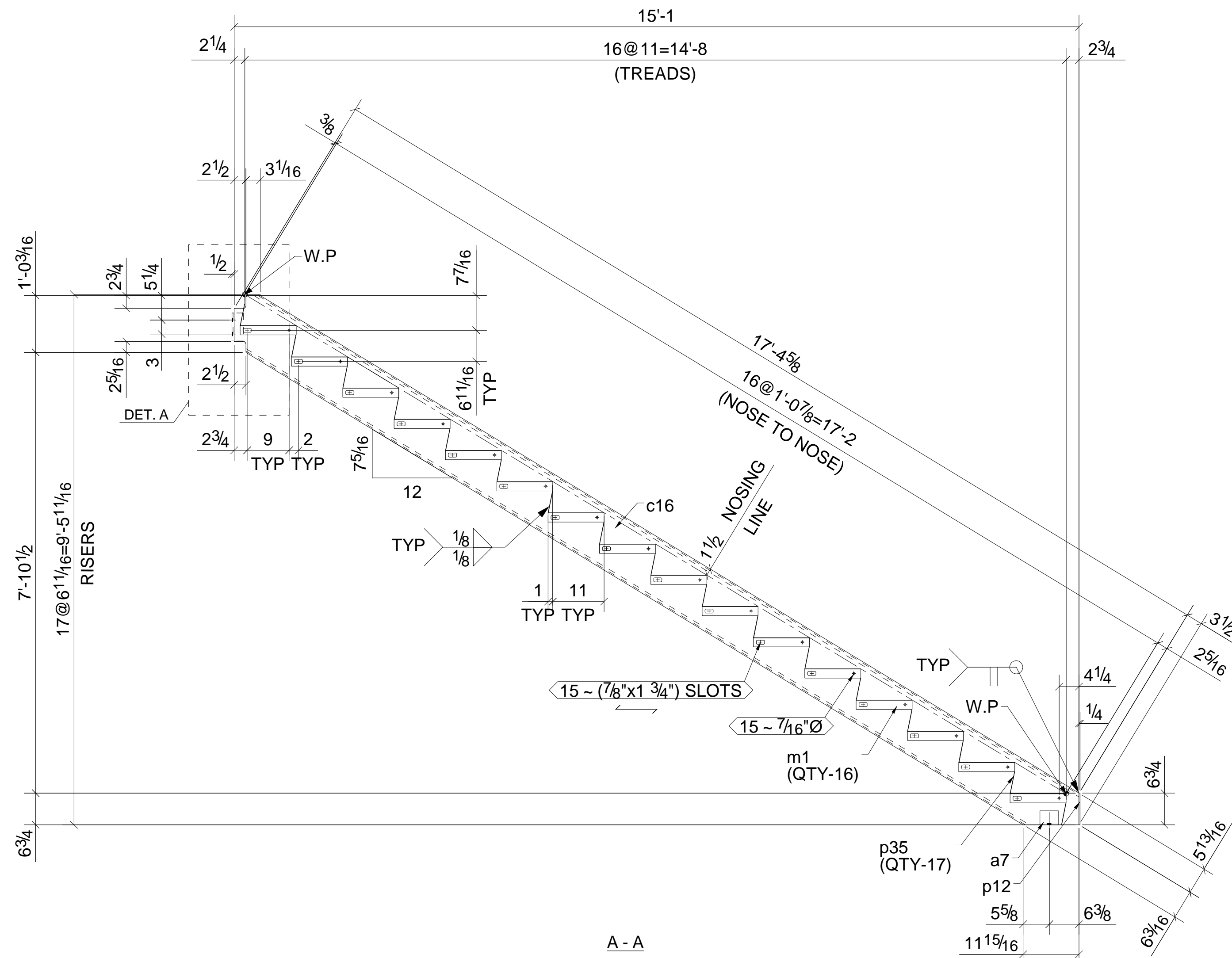
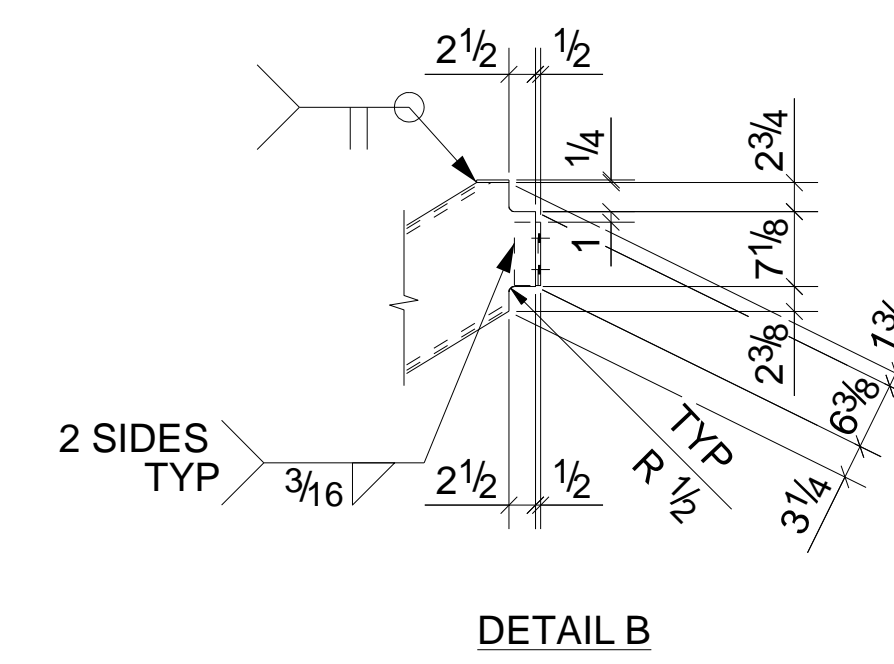
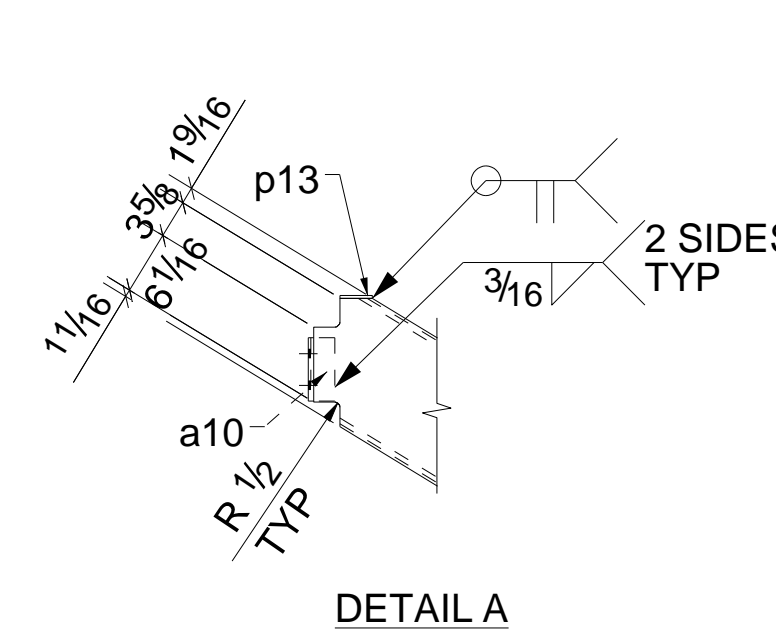
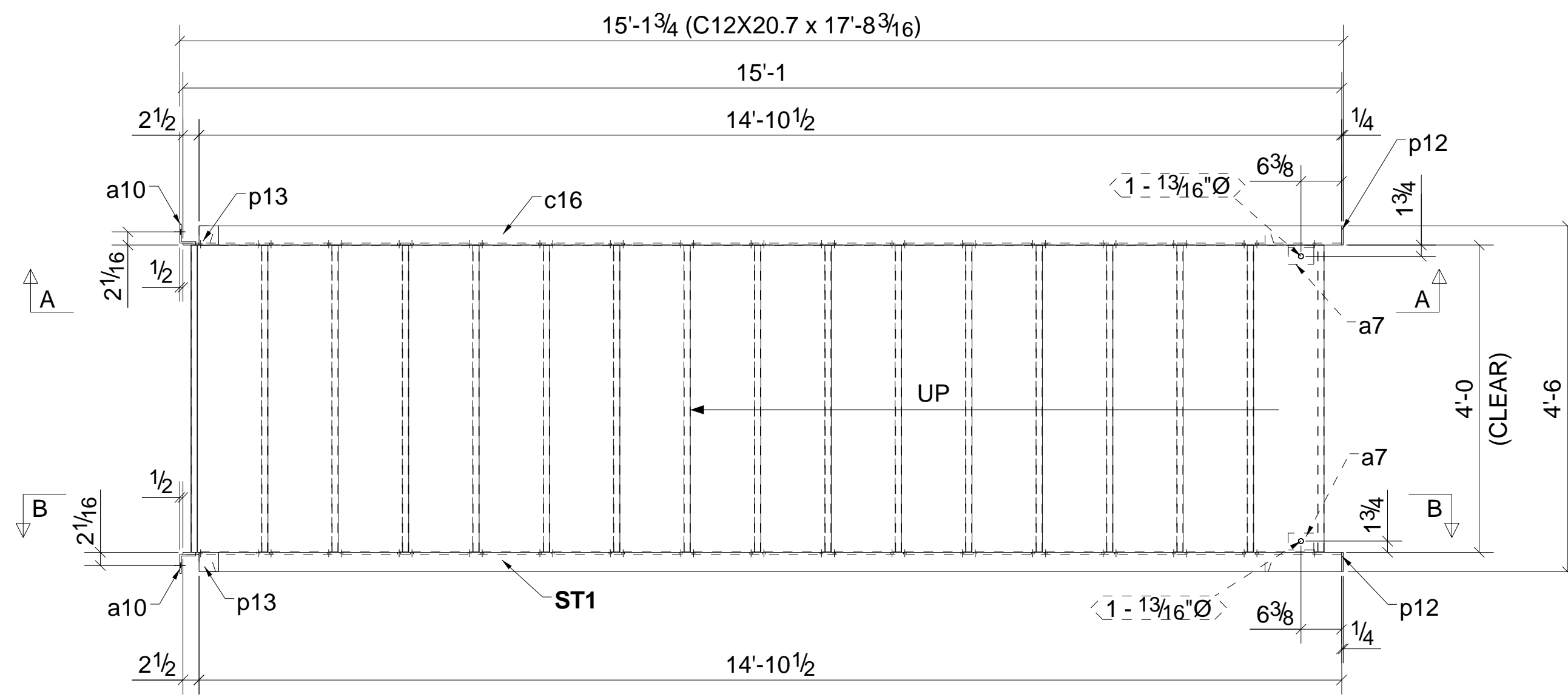


# BILL OF MATERIAL

MARK	QTY	DESCRIPTION	LENGTH	WEIGHT	REMARKS
ST1	1	STRINGER			BEV-2
ST1	1	C12X20.7	17'-8 3/16"	366	A36
a7	2	L3X3X3/8	0'-4"	5	A36
a10	2	L3X2-1/2X1/4	0'-6"	4	A36
c16	1	C12X20.7	17'-8 3/16"	366	A36
m1	16	BOI		0	
p12	2	PL1/4"X3"	0'-6 3/4"	3	A36
p13	2	PL1/4"X3"	0'-3 1/16"	1	A36
p35	17	SHT12GAX4 13/16"	4'-0"	69	A36
	64	1/2" A325N BOLT	0'-1 1/4"	12	Workshop
	2	3/4" EXPANSION_ANC BOLT	0'-5"		Site
TOTAL WEIGHT THIS DRAWING				826	



ONE - STRINGER - ST1