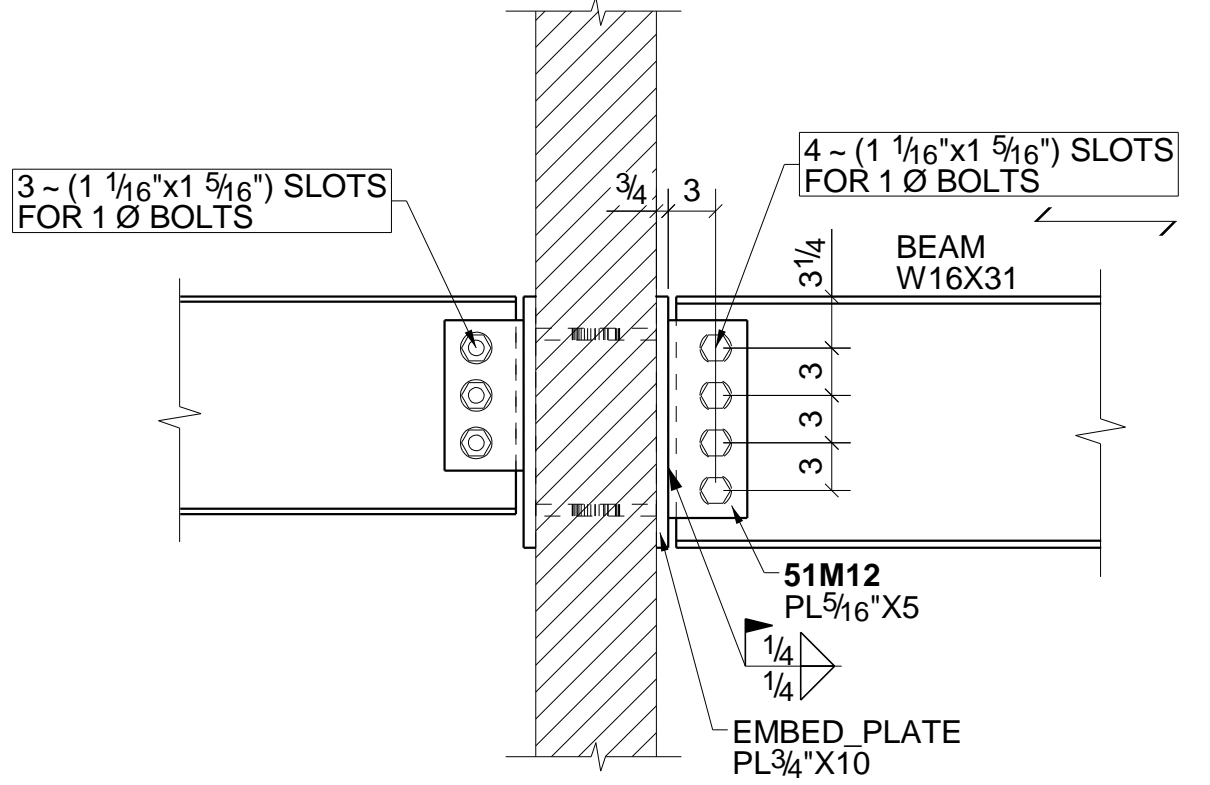
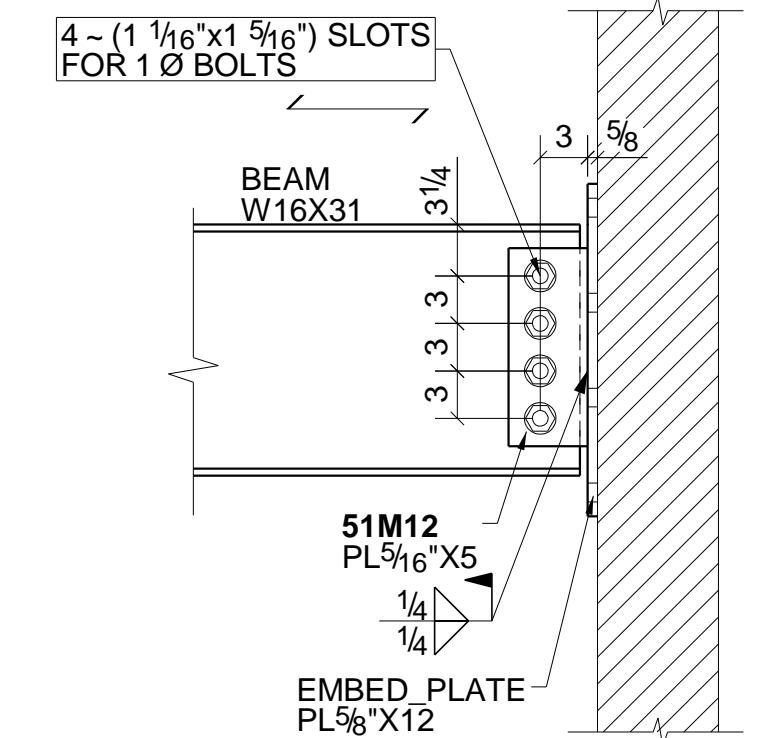


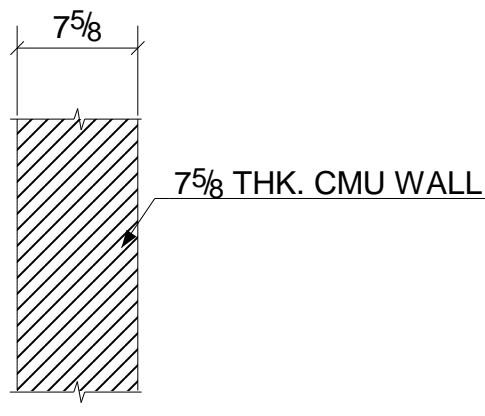
**NOTE:**  
 WZZZZ (X)  
 (C=3/4) X VALUE INDICATES NUMBER OF SHEAR CONNECTORS.  
 CAMBER VALUE



**A11 - A11**



**A21 - A21**



**DETAIL 1**

**NOTE:**  
 1) \* INDICATED ON PLAN REFERS TO SINGLE ROW OF SC BOLTS



**SECOND FLOOR FRAMING PLAN**  
 T.O.S EL.+13'-6"(U.N.O)  
 T.O.C EL.+14'-0"(U.N.O)  
 (REF.DWG : S2.1)