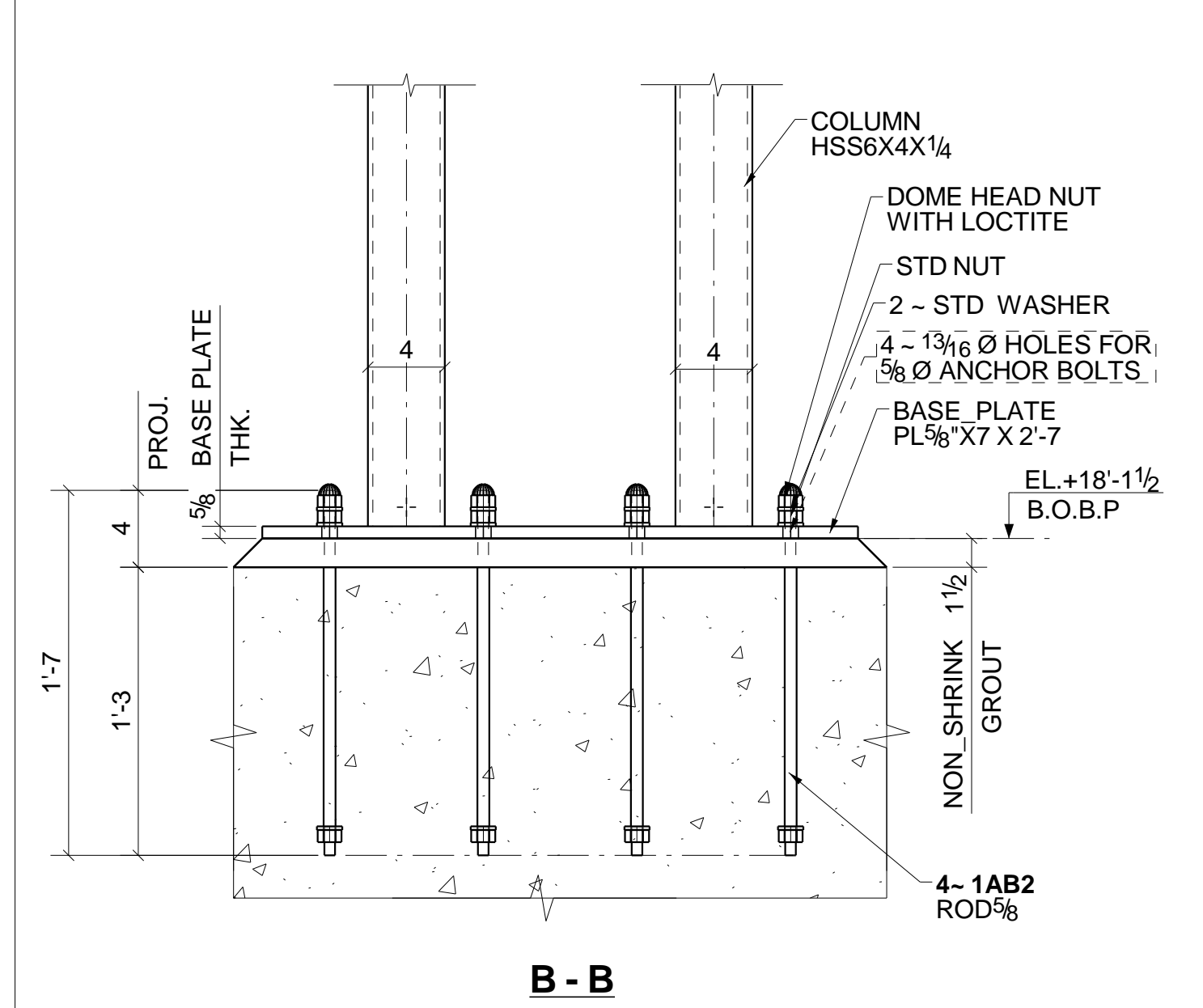
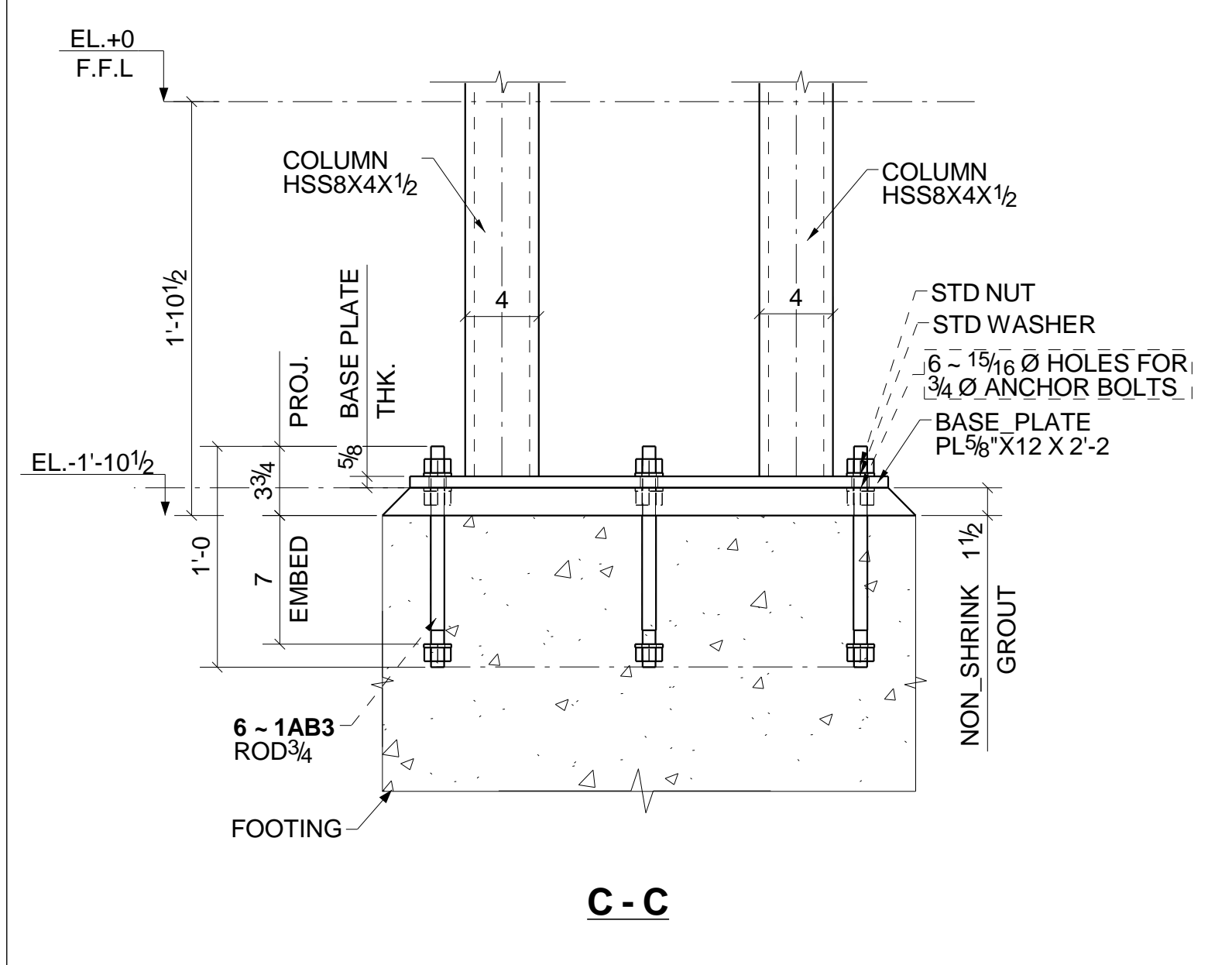


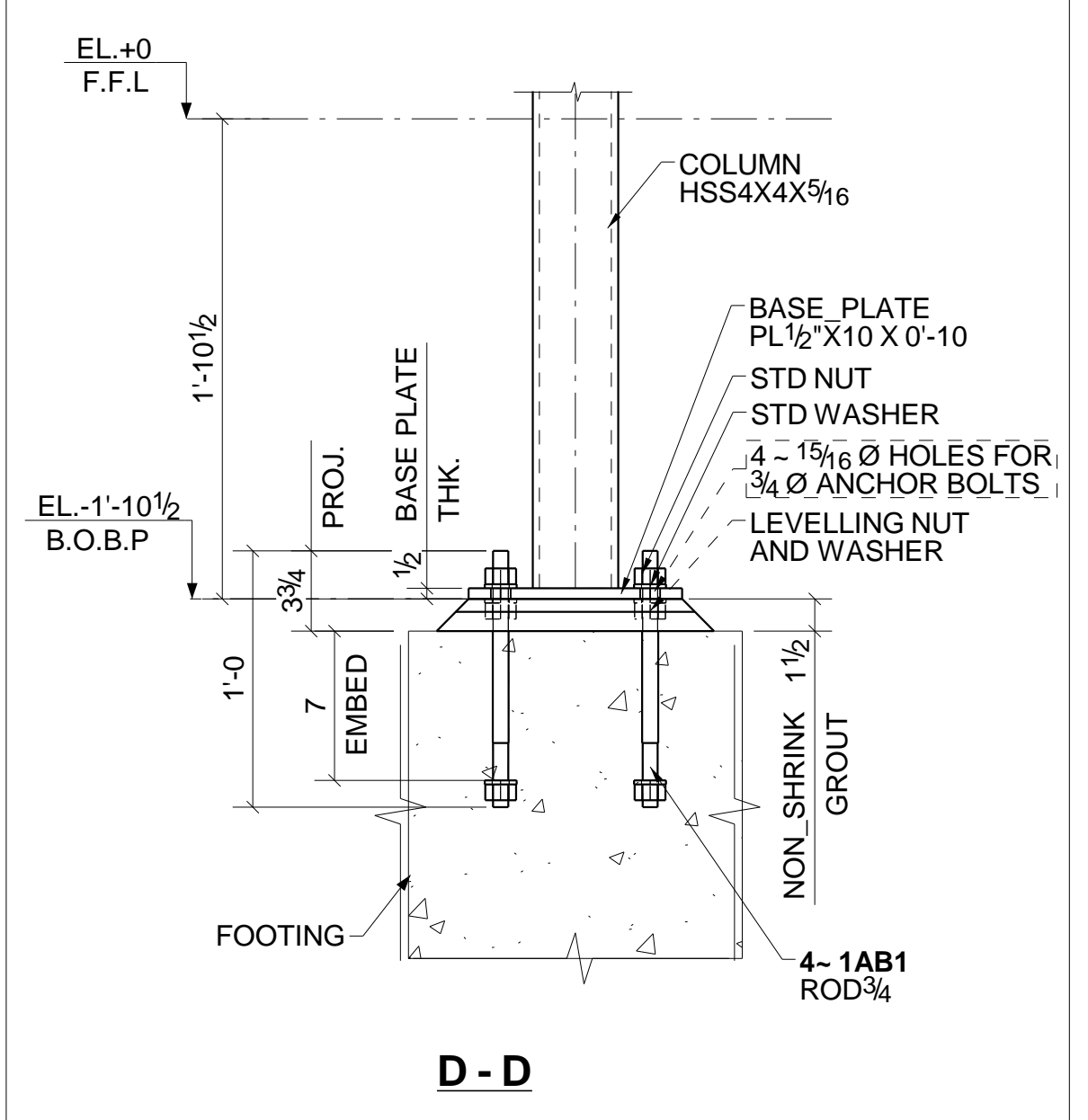
A-A



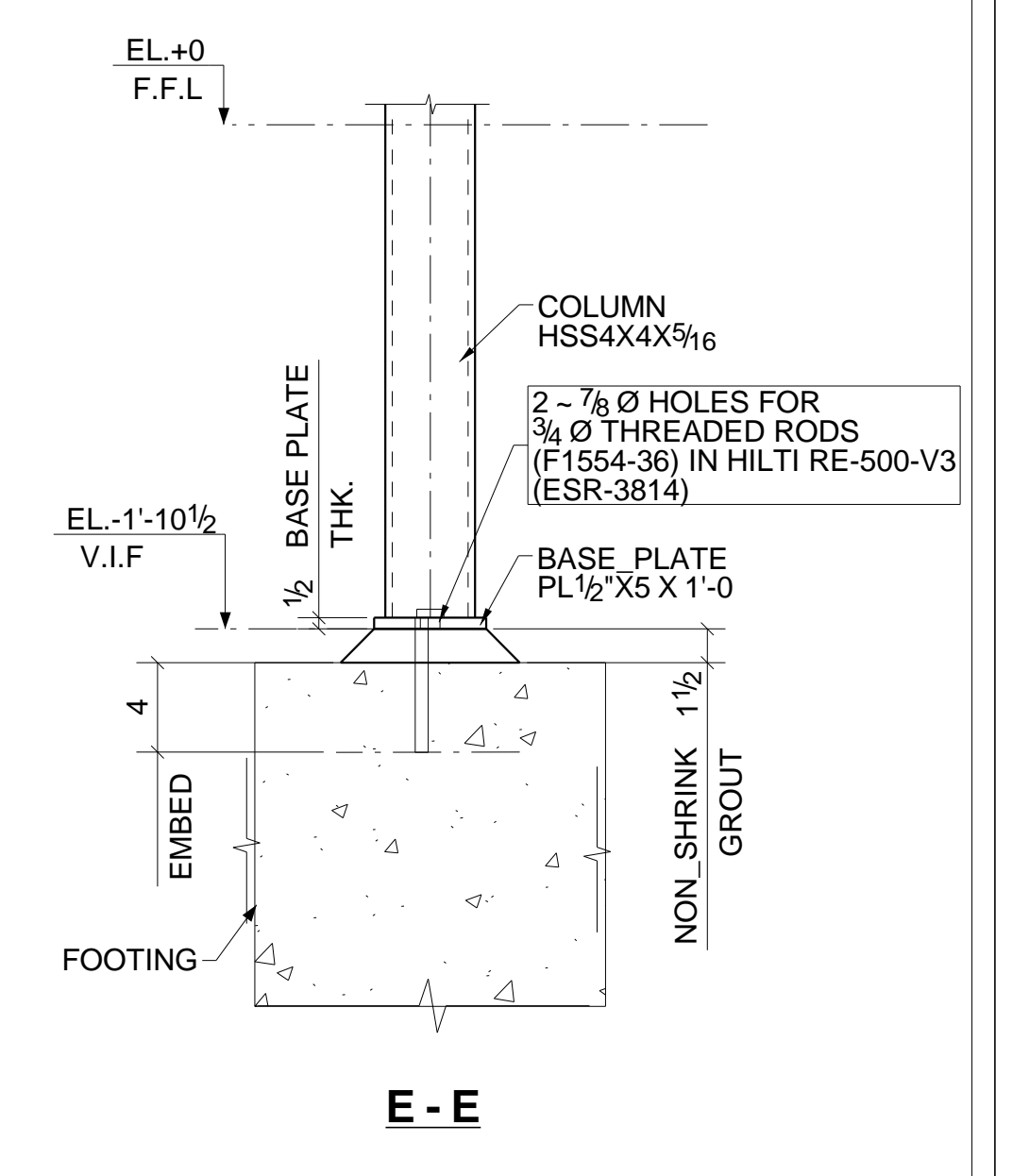
B-B



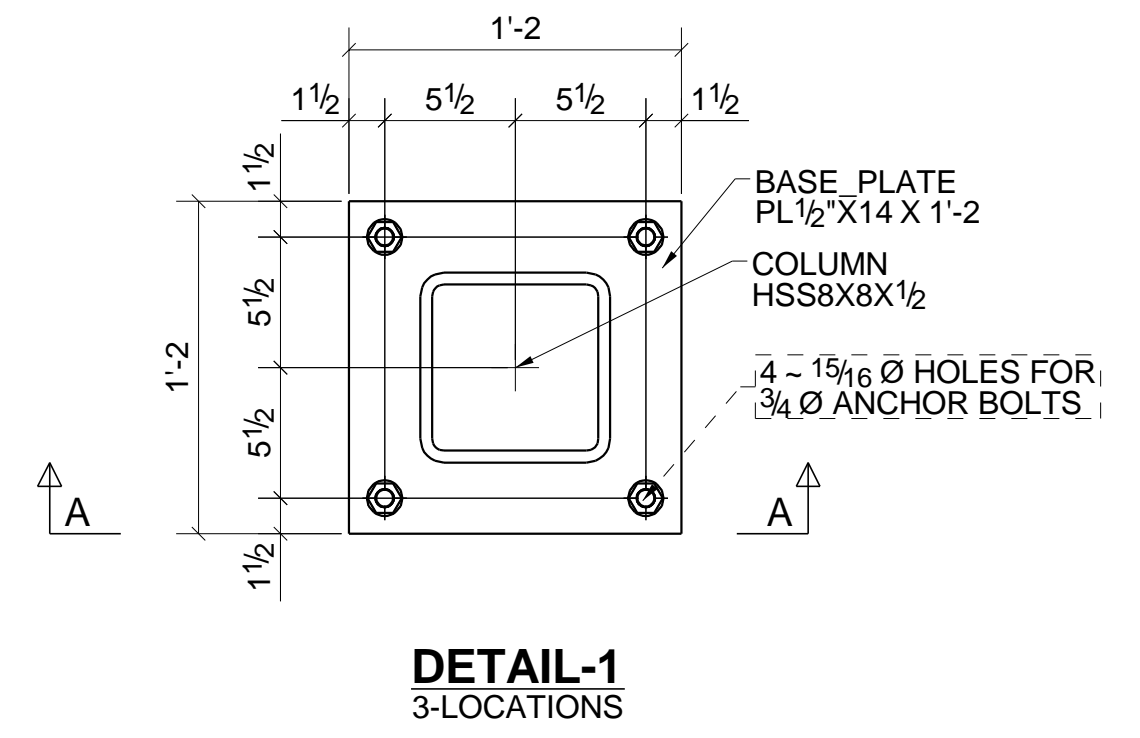
C-C



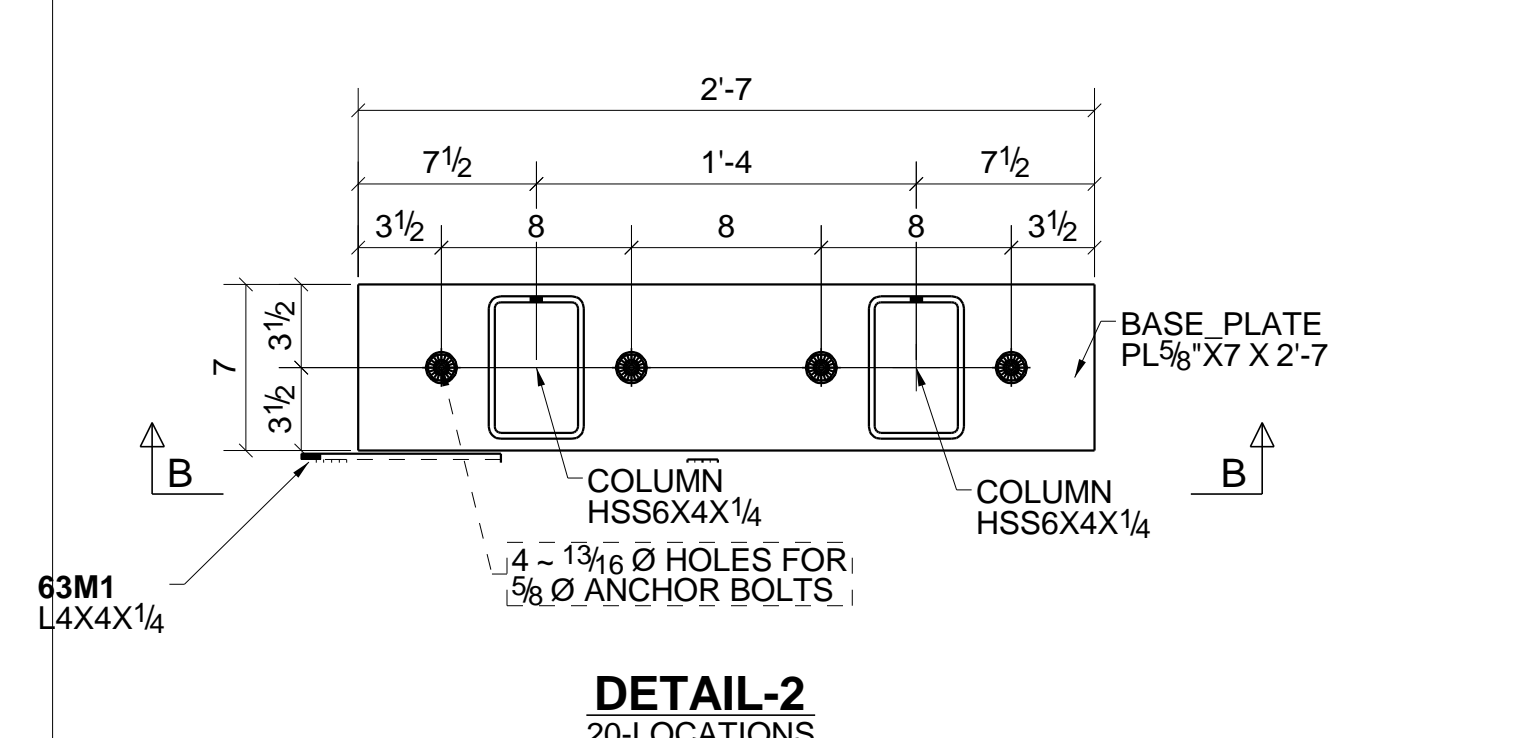
D-D



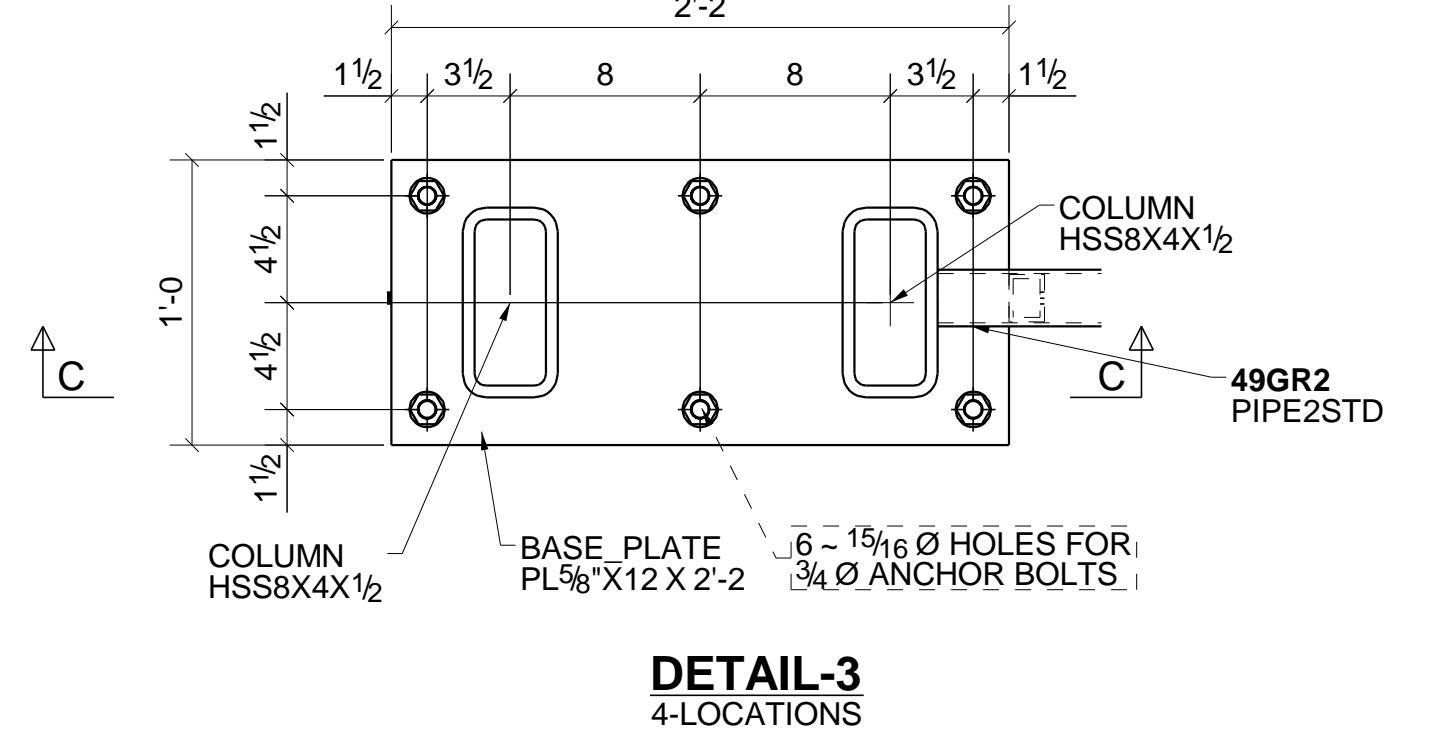
E-E



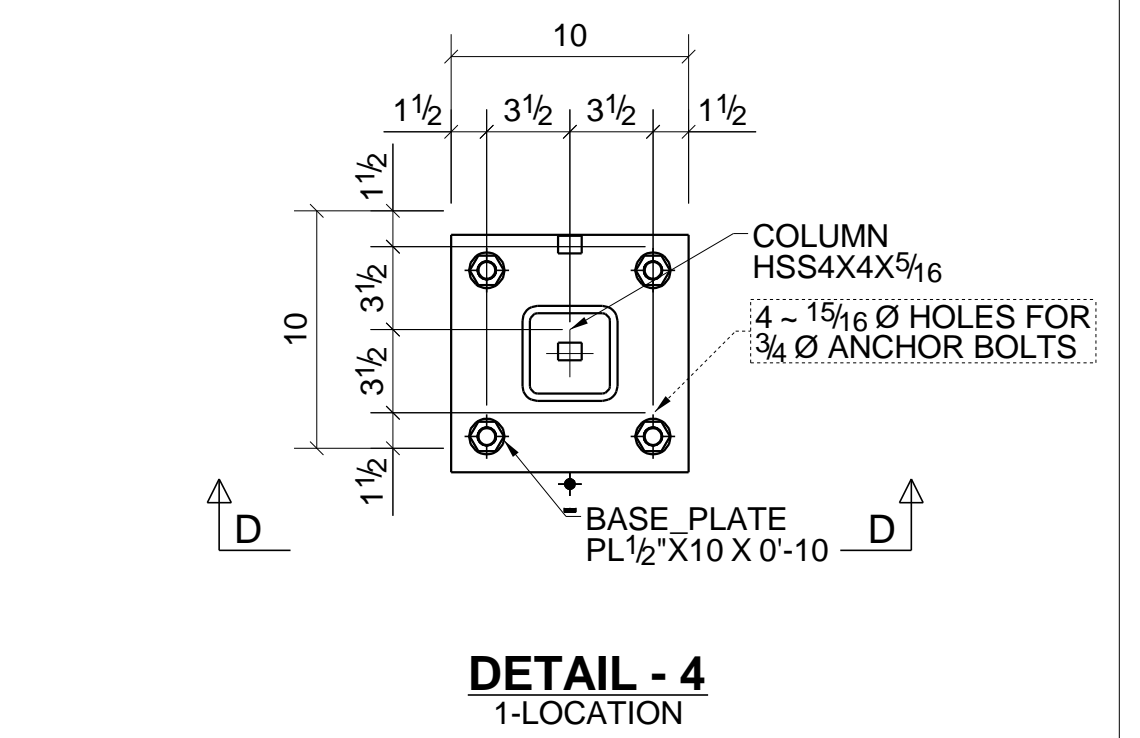
DETAIL-1
3-LOCATIONS



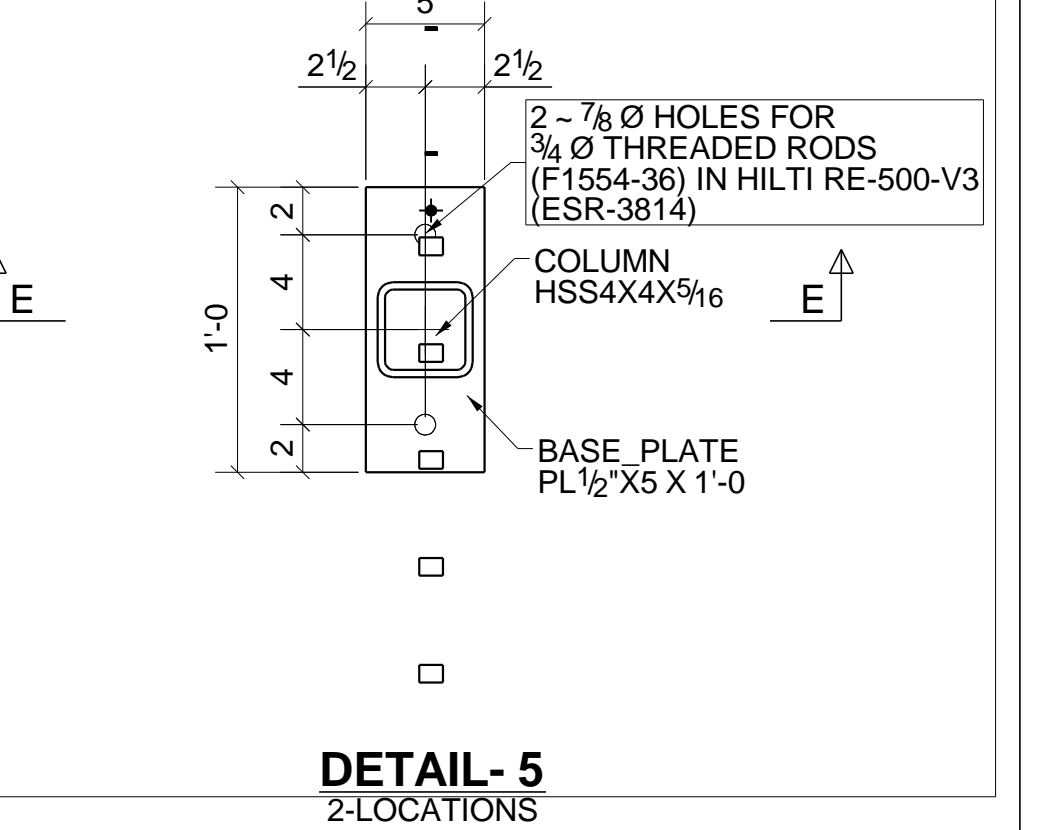
DETAIL-2
20-LOCATIONS



DETAIL-3
4-LOCATIONS



DETAIL-4
1-LOCATION



DETAIL-5
2-LOCATIONS