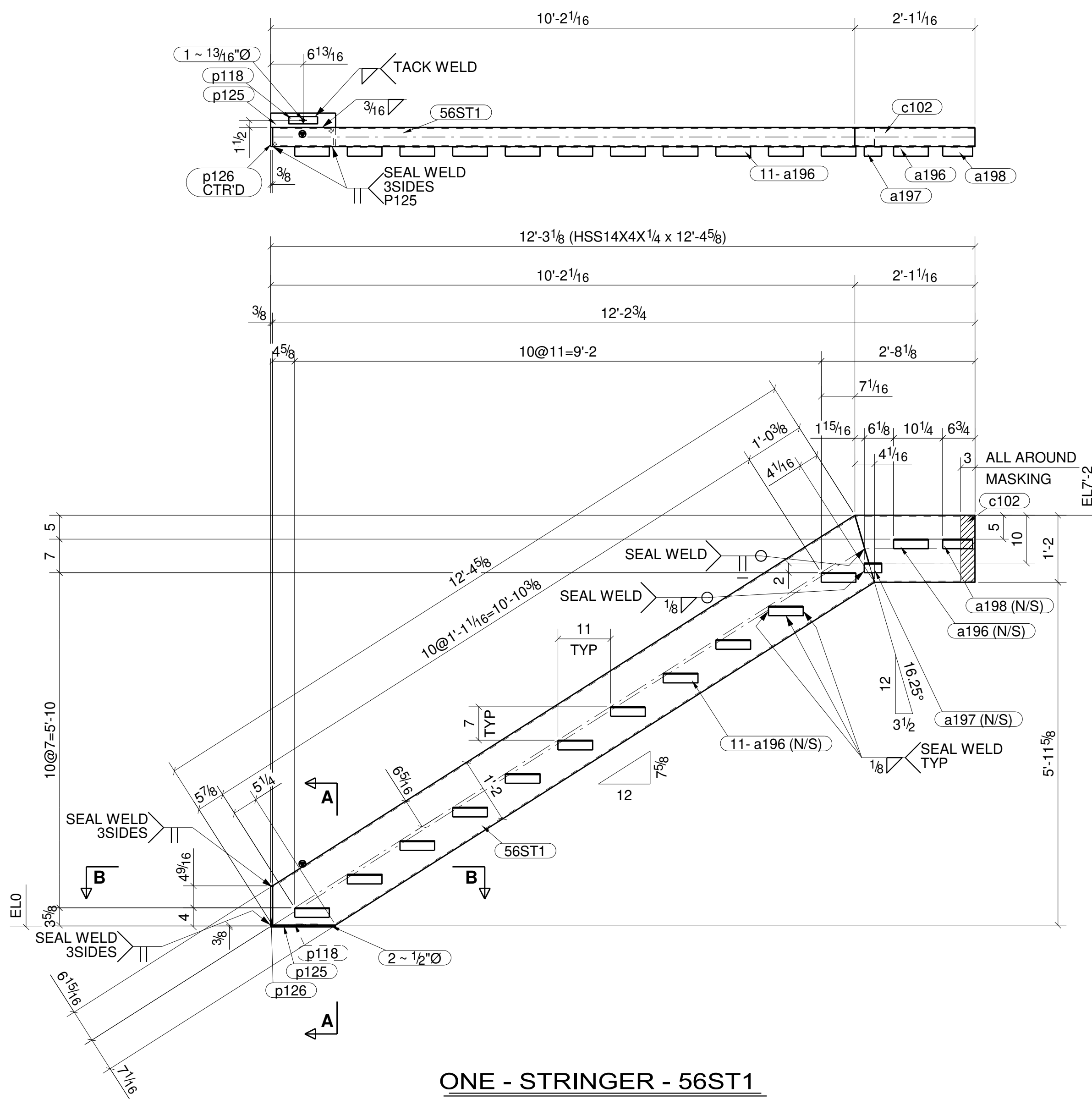
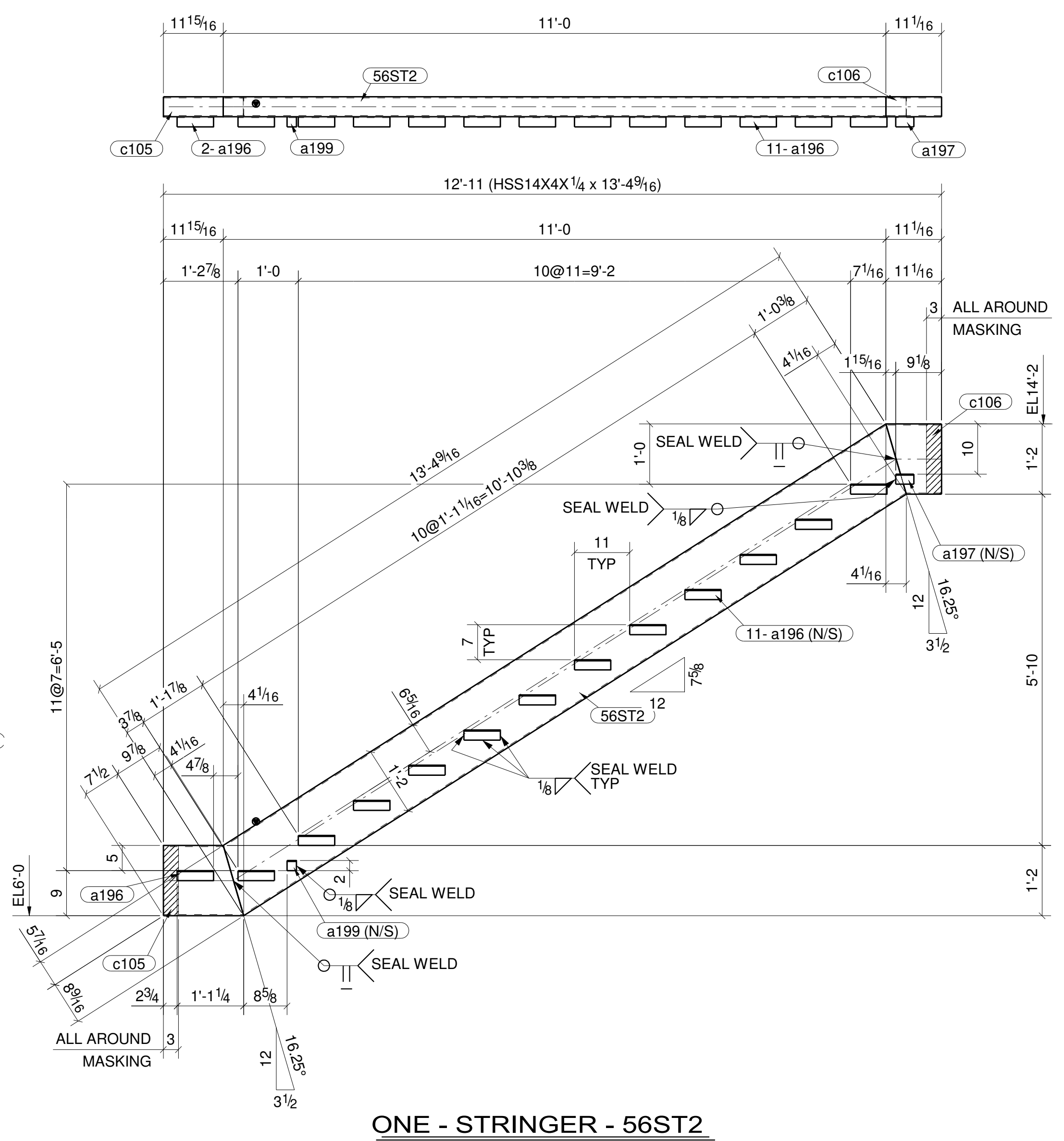
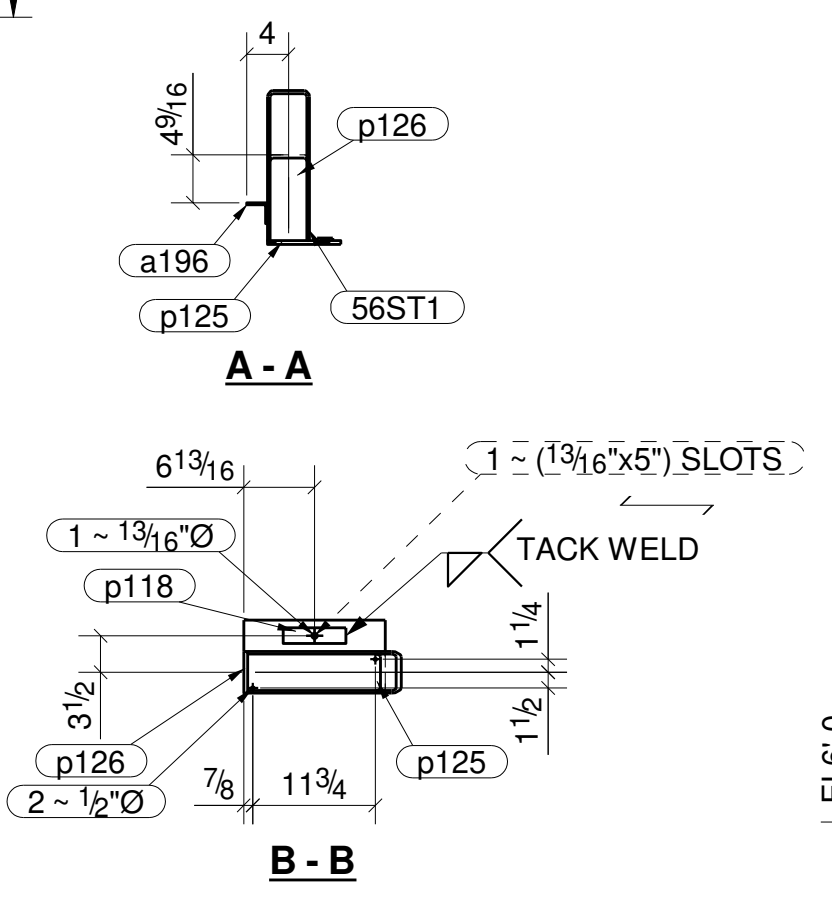


BILL OF MATERIALS									
LINE #	QTY	PC MARK	DESCRIPTION	LENGTH	REMARKS	WEIGHT TOTAL	ADVANCE MILL #		
				FT.	IN.				
ONE	56ST1		STRINGER				429		
1	56ST1	HSS14X4X1/4		12	4 5/8"	A500-GR.B	338		
12	a196	L2X2X3/16		0'	7 1/4"	A36	18		
1	a197	L2X2X3/16		0'	3 5/8"	A36	1		
1	a198	L2X2X3/16		0'	6 1/4"	A36	1		
1	c102	HSS14X4X1/4		2'	1 1/16"	A500-GR.B	57		
1	p118	PL 1/4" X 1 1/2"		0'	6"	A572-GR.50	1		
1	p125	PL 3/8" X 7"		1'	1 9/16"	A572-GR.50	10		
1	p126	PL 3/8" X 4"		0'	8 3/16"	A572-GR.50	3		
ONE	56ST2		STRINGER				447		
1	56ST2	HSS14X4X1/4		13'	4 9/16"	A500-GR.B	366		
13	a196	L2X2X3/16		0'	7 1/4"	A36	19		
1	a197	L2X2X3/16		0'	3 5/8"	A36	1		
1	a199	L2X2X3/16		0'	1 7/8"	A36	0		
1	c105	HSS14X4X1/4		1'	4"	A500-GR.B	36		
1	c106	HSS14X4X1/4		0'	11 1/16"	A500-GR.B	25		
Total Weight :							877		



ONE - STRINGER - 56ST1



ONE - STRINGER - 56ST2