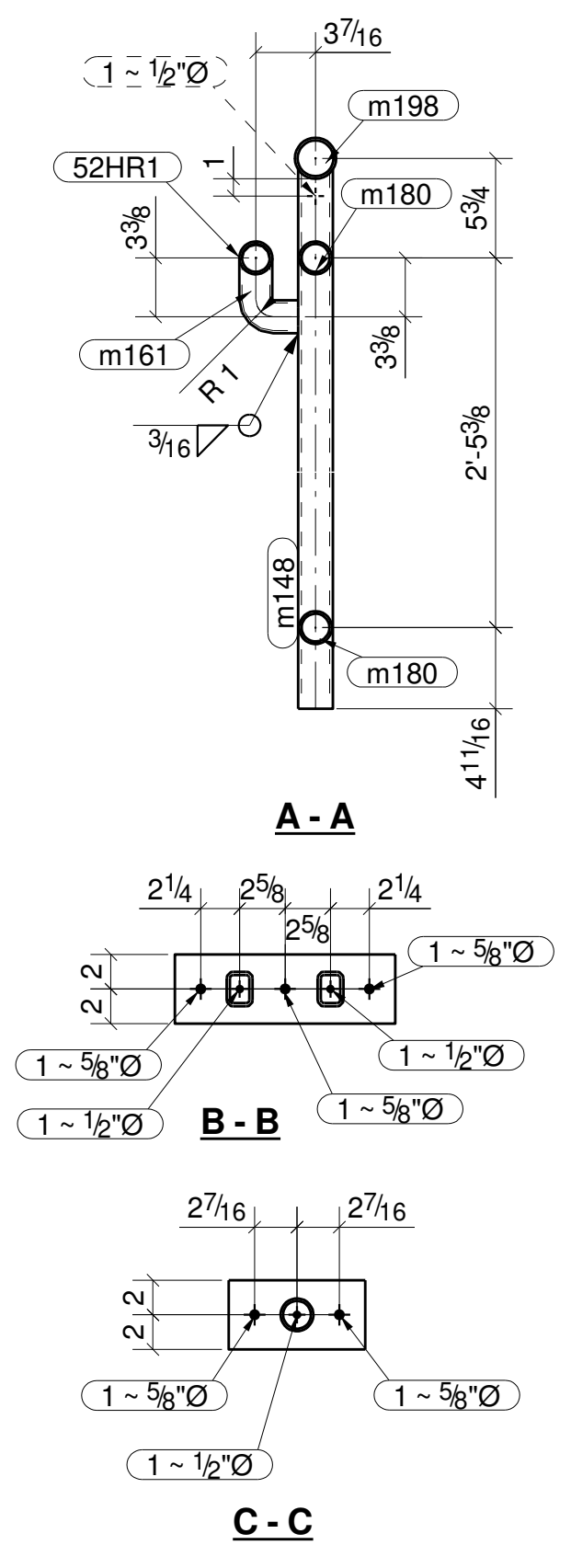


**ONE - HAND\_RAIL - 52HR1**  
GALVANIZED



NOTE :  
ALL 1/2" Ø HOLES ARE VENT HOLE U.N.O

NOTE:  
 - 3" ALL AROUND MASKING

BILL OF MATERIALS									
LINE #	QTY	PC MARK	DESCRIPTION	LENGTH Ft.	IN.	REMARKS	WEIGHT TOTAL	ADVANCE MILL #	
ONE	52HR1		HAND_RAIL				438		
1	1	m149	PIPE1-1/2STD	19'	1.516'	A53-GR.B	48		
3	1	m147	HSS2X1-1/2X3/16	3'	3.716'	A500-GR.B	34		
1	1	m148	HSS2X1-1/2X3/16	3'	3.316'	A500-GR.B	11		
1	1	m149	HSS2X1-1/2X3/16	3'	7.1316'	A500-GR.B	13		
1	1	m150	HSS2X1-1/2X3/16	3'	4.12'	A500-GR.B	12		
2	1	m161	PIPE1-1/2STD	0'	5.716'	A53-GR.B	2		
4	1	m183	PIPE1-1/2STD	0'	5.58'	A53-GR.B	5		
2	1	m180	PIPE1-1/2STD	1'	7.316'	A53-GR.B	8		
1	1	m182	PIPE1-1/2STD	4'	0.1516'	A53-GR.B	10		
1	1	m198	PIPE2STD	15'	2.34'	A53-GR.B	53		
5	1	m253	PIPE1-1/2STD	4'	0.1516'	A53-GR.B	52		
27	1	p147	PL3/8"X1"	2'	2.12'	A572-GR.50	152		
4	1	p148	PL3/8"X1"	2'	3.34'	A572-GR.50	24		
1	1	p182	PL1/4"X2.38"	0'	2.38"	A572-GR.50	0		
1	1	p230	PL3/8"X4"	1'	0.34'	A572-GR.50	5		
1	1	p231	PL3/8"X4"	0'	7.78"	A572-GR.50	3		
1	1	r100	ROD1"	0'	4"	A36	3		
3	1	r101	ROD1 1/2"	0'	4"	A36	6		
			FIELD BOLTS						
3			1/2" Ø HLT.IR.E-5	0'	3.14'	Site			
			FIELD BOLTS						
2			1/2" Ø HLT.IR.E-5	0'	3.14'	Site			
<b>Total Weight :</b>							<b>444</b>		