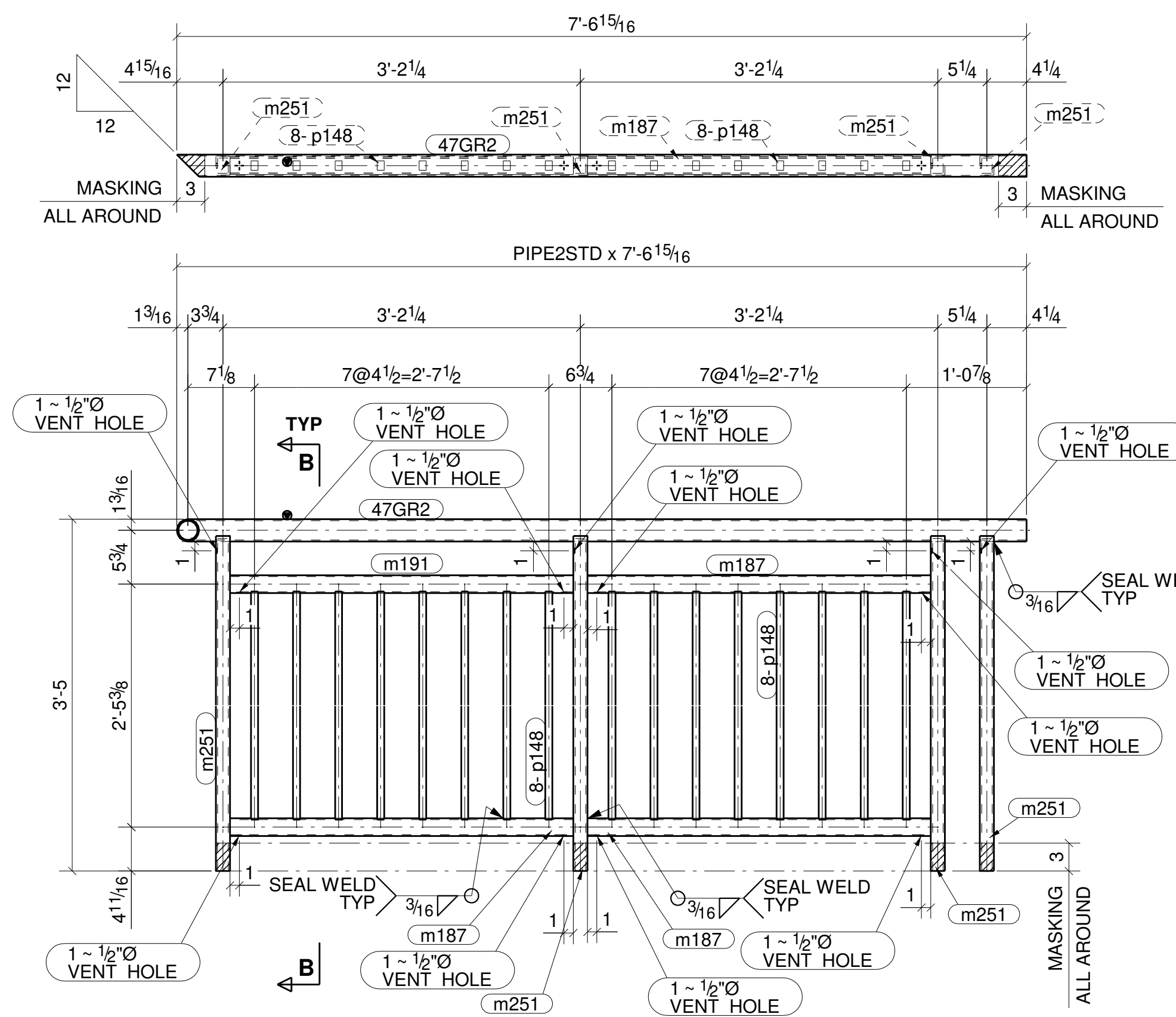
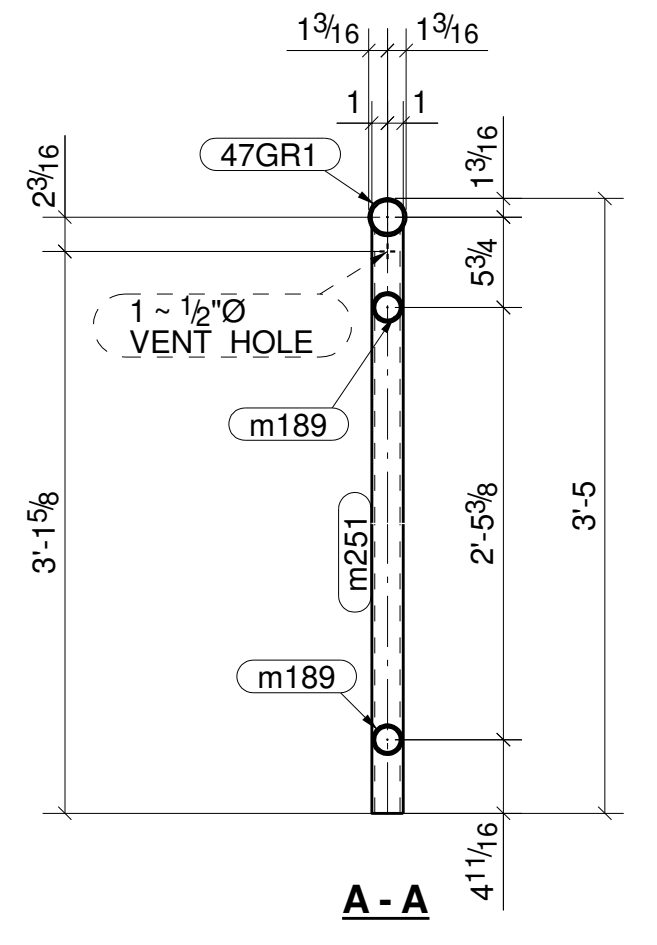


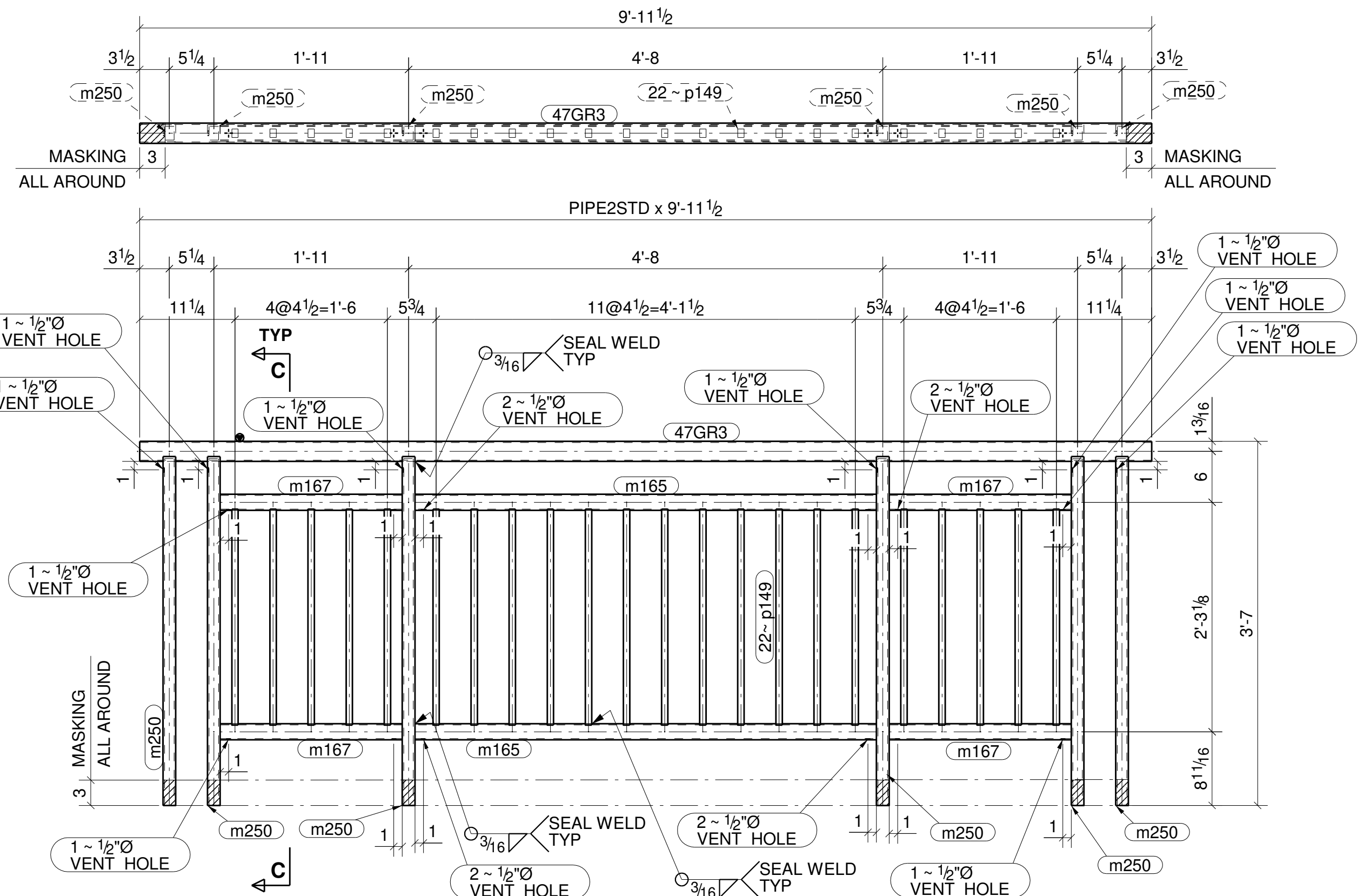
ONE - GUARD RAIL - 47GR1

[GALVANIZED]



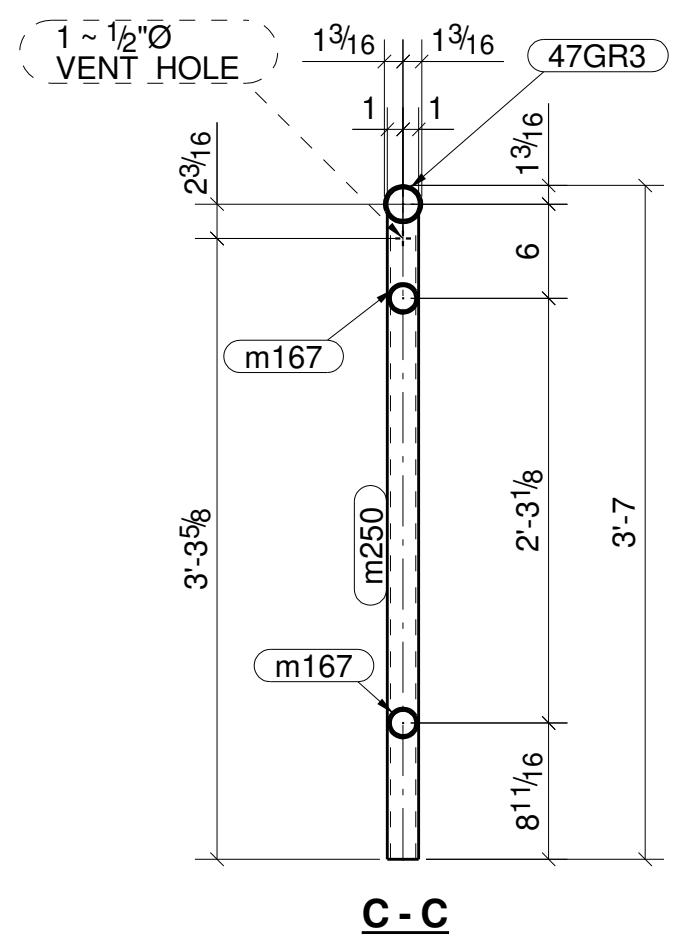
ONE - GUARD RAIL - 47GR2

[GALVANIZED]



ONE - GUARD RAIL - 47GR3

[GALVANIZED]



BILL OF MATERIALS									
LINE #	QTY	PC MARK	DESCRIPTION	LENGTH Ft.	IN.	REMARKS	WEIGHT TOTAL	ADVANCE MLL #	
ONE	47GR1		GUARD_RAIL				420		
1	47GR1		PIPE2STD	16'	4 1/2"	ASS-GR.B	57		
2	m188		PIPE1-12STD	3'	5 5/16"	ASS-GR.B	18		
6	m189		PIPE1-12STD	3'	11 1/4"	ASS-GR.B	60		
5	m251		HSS2X1-12X3/16	3'	3 3/16"	A500-GR.B	57		
39	p148		PL3/4"X1"	2'	3 3/4"	A572-GR.50	230		
ONE	47GR2		GUARD_RAIL				197		
1	47GR2		PIPE2STD	7'	6 15/16"	ASS-GR.B	26		
3	m187		PIPE1-12STD	3'	0 3/4"	ASS-GR.B	23		
1	m191		PIPE1-12STD	3'	0 3/4"	ASS-GR.B	8		
4	m251		HSS2X1-12X3/16	3'	3 3/16"	A500-GR.B	45		
16	p148		PL3/4"X1"	2'	3 3/4"	A572-GR.50	94		
ONE	47GR3		GUARD_RAIL				266		
1	47GR3		PIPE2STD	9'	11 1/2"	ASS-GR.B	35		
2	m165		PIPE1-12STD	4'	6 1/2"	ASS-GR.B	23		
4	m167		PIPE1-12STD	1'	9 1/2"	ASS-GR.B	18		
6	m250		HSS2X1-12X3/16	3'	5 3/16"	A500-GR.B	72		
22	p149		PL3/4"X1"	2'	1 1/2"	A572-GR.50	119		
Total Weight :							886		