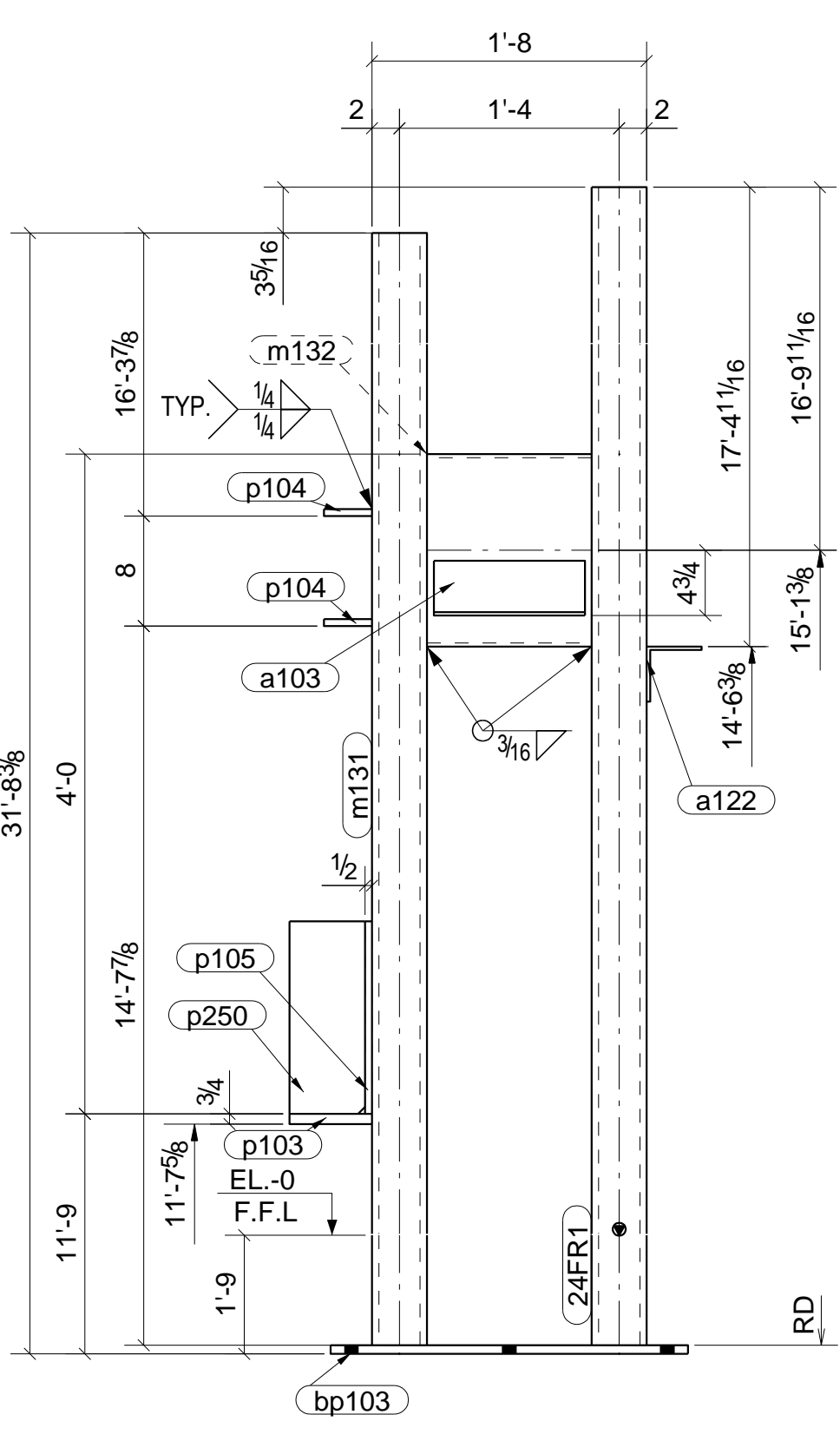
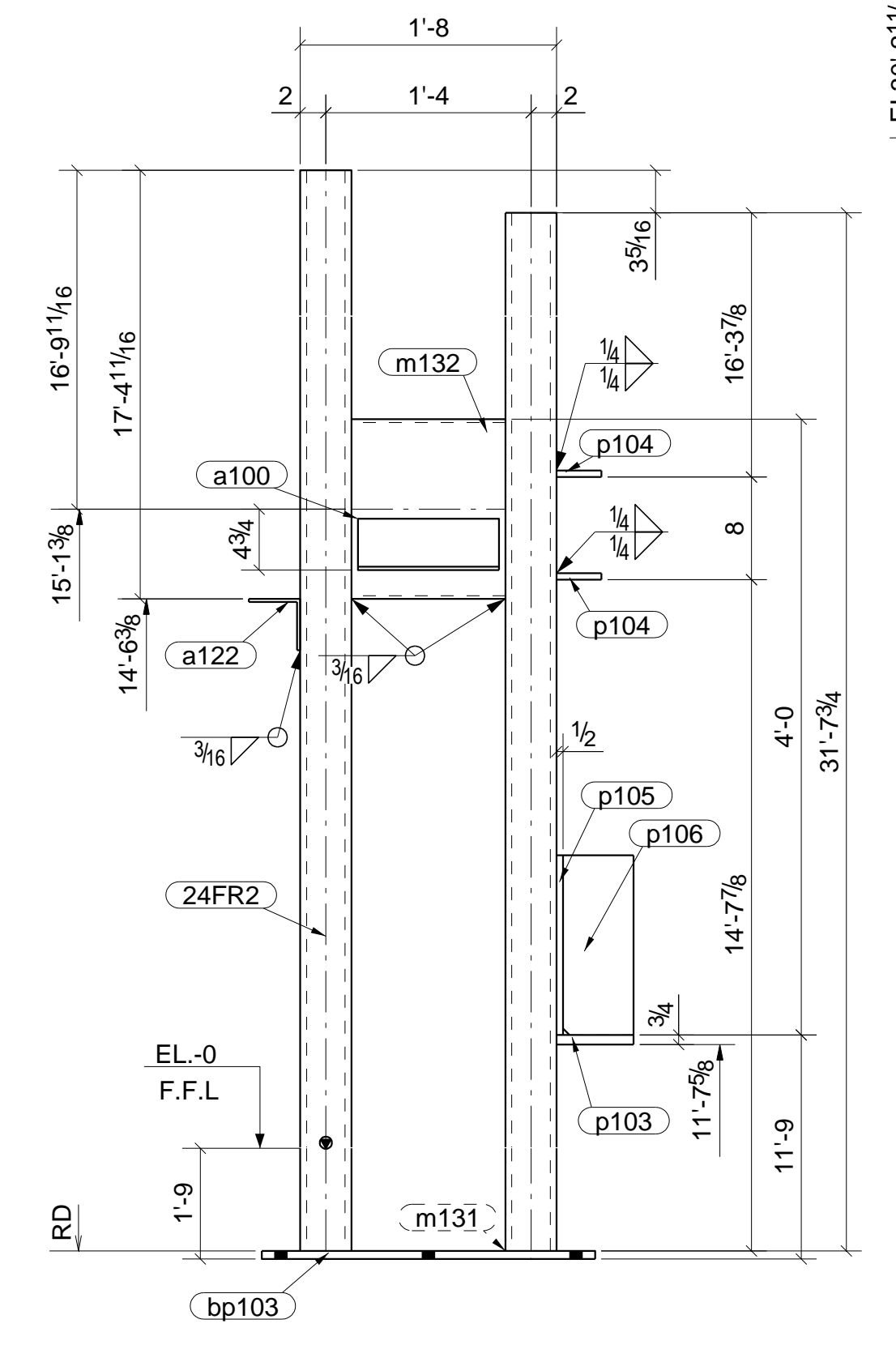
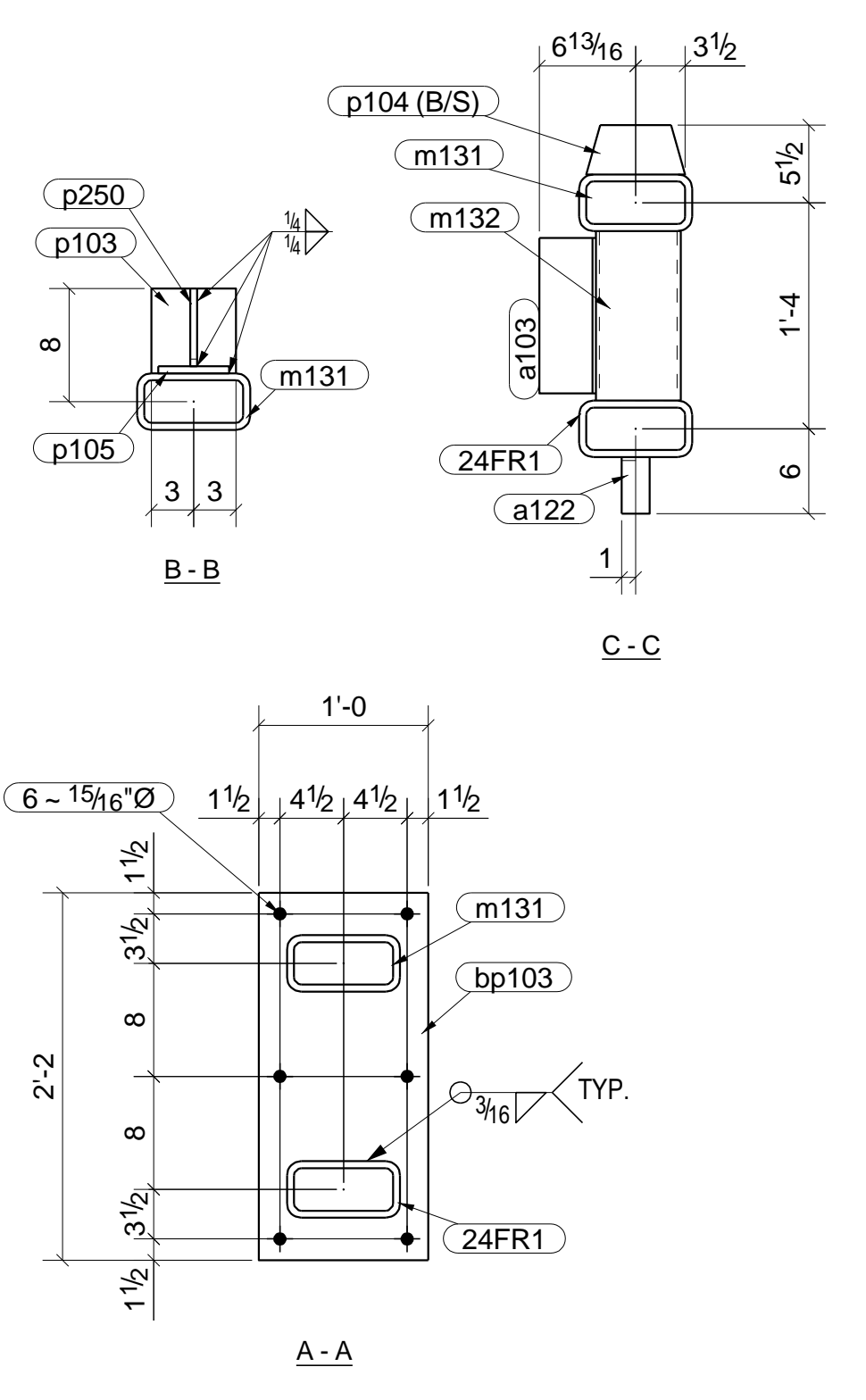
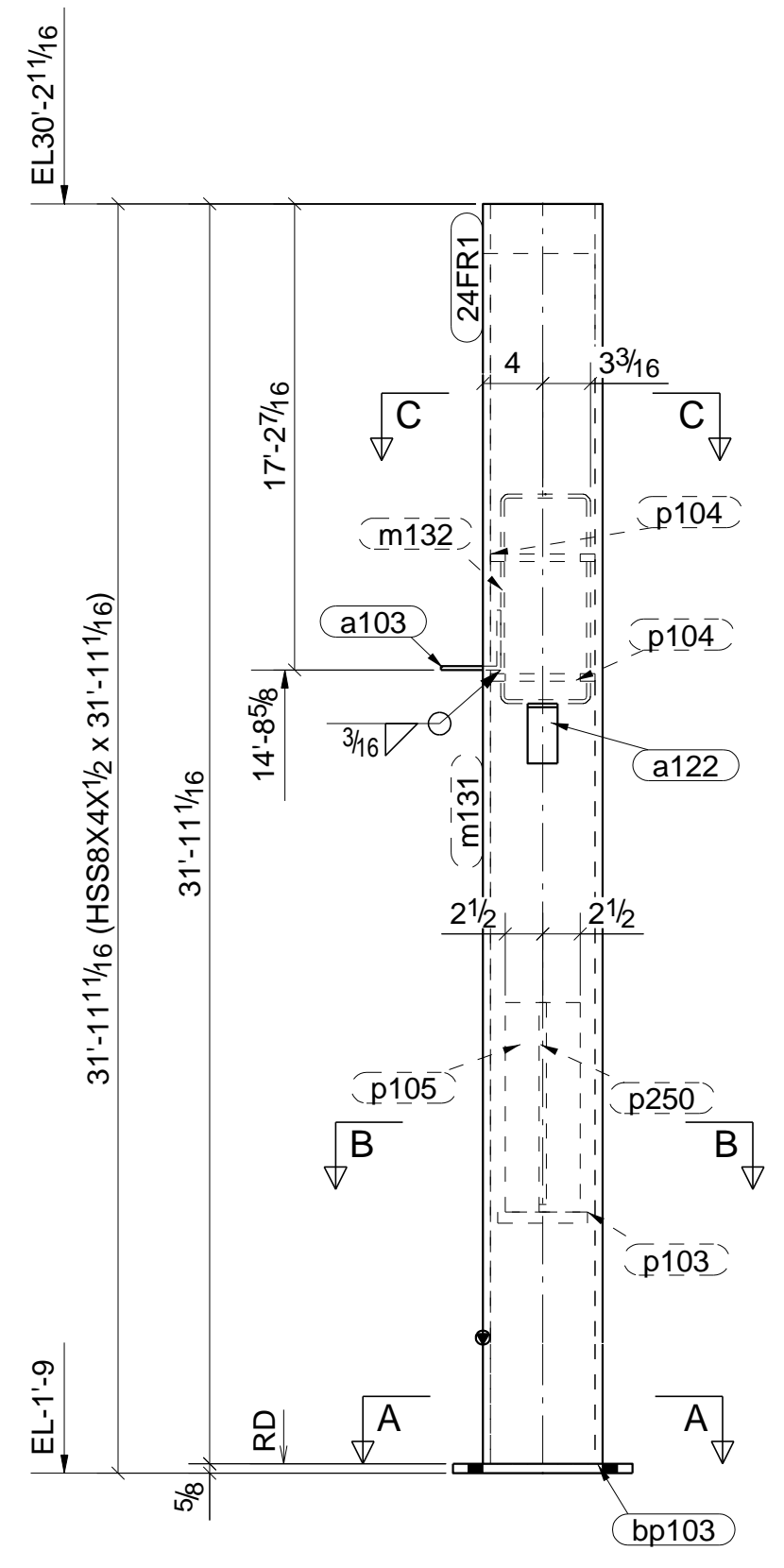


BILL OF MATERIALS

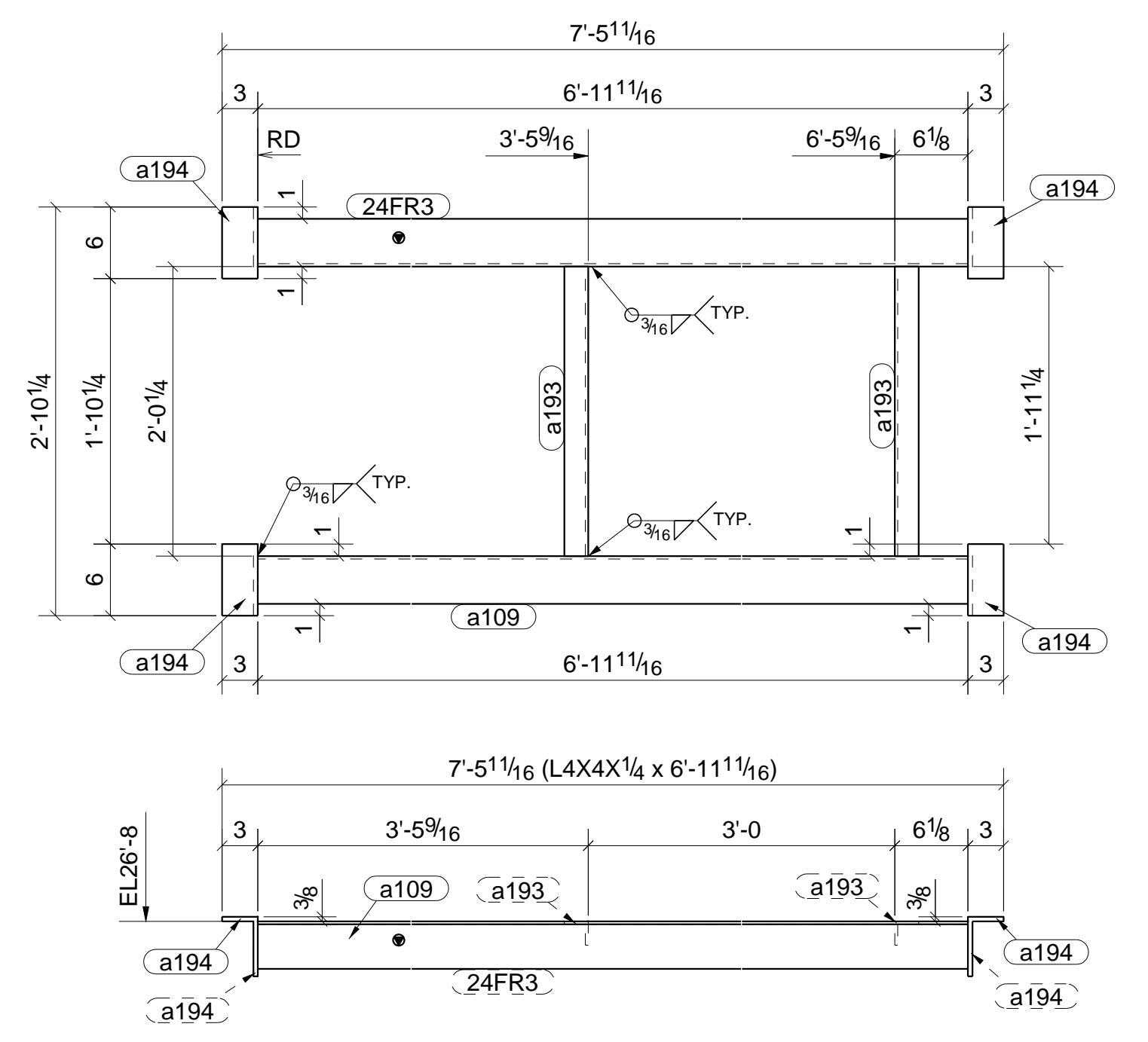
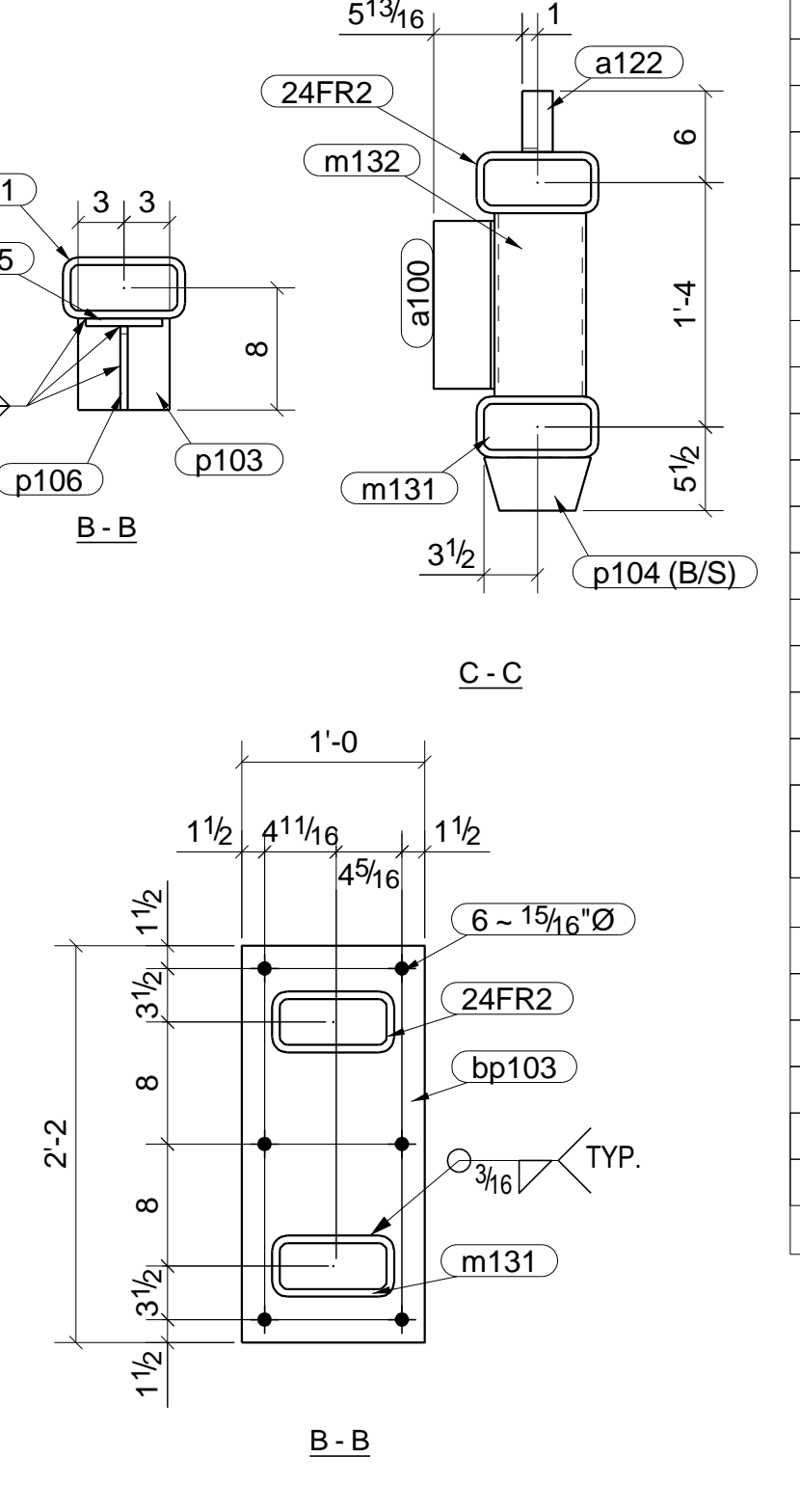
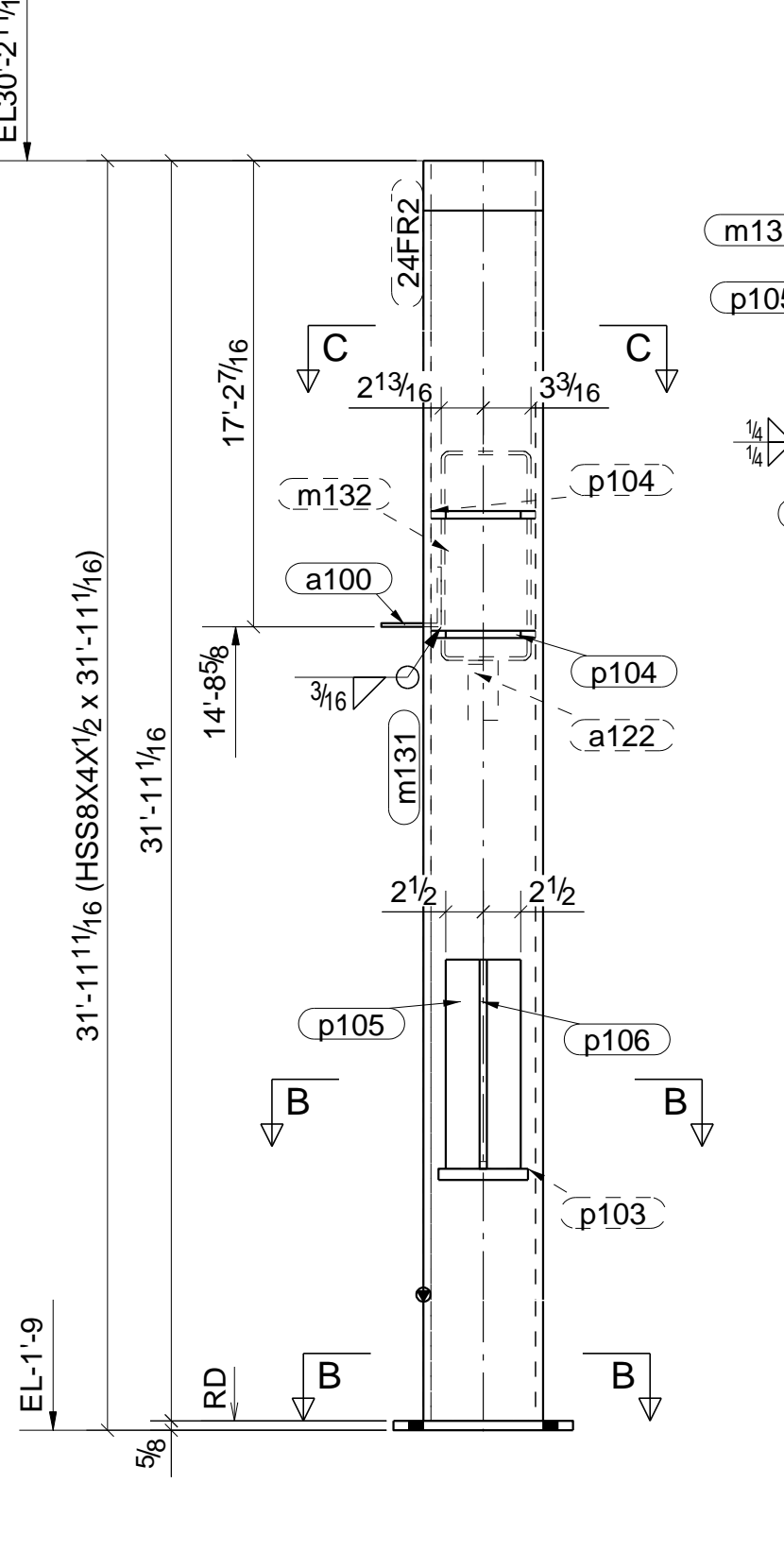
LINE #	QTY	PC MARK	DESCRIPTION	LENGTH		REMARKS	WEIGHT		ADVANCE MILL #
				FL.	In.		TOTAL		
ONE	TOTAL	24FR1	FRAME					2234	
1	24FR1	HSS8X4X1/2		31'	11 1/16"	A500-GR.B		1058	
1	a103	L4X4X1/4		0'	11"	A36		6	
1	a122	L4X4X1/4		0'	2"	A36		1	
1	bp103	PL5/8"X12"		2'	2"	A572-GR.50		55	
1	m131	HSS8X4X1/2		31'	7 3/4"	A500-GR.B		1049	
1	m132	HSS14X8X1/4		1'	0"	A500-GR.B		30	
1	p103	PL3/4"X6"		0'	6"	A572-GR.50		8	
2	p104	PL1/2"X3 1/2"		0'	7"	A572-GR.50		7	
1	p105	PL1/2"X5"		1'	2"	A572-GR.50		10	
1	p250	PL1/2"X5 1/2"		1'	2"	A572-GR.50		11	
ONE	TOTAL	24FR2	FRAME					2234	
1	24FR2	HSS8X4X1/2		31'	11 1/16"	A500-GR.B		1058	
1	a100	L4X4X1/4		0'	11"	A36		6	
1	a122	L4X4X1/4		0'	2"	A36		1	
1	bp103	PL5/8"X12"		2'	2"	A572-GR.50		55	
1	m131	HSS8X4X1/2		31'	7 3/4"	A500-GR.B		1049	
1	m132	HSS14X8X1/4		1'	0"	A500-GR.B		30	
1	p103	PL3/4"X6"		0'	6"	A572-GR.50		8	
2	p104	PL1/2"X3 1/2"		0'	7"	A572-GR.50		7	
1	p105	PL1/2"X5"		1'	2"	A572-GR.50		10	
1	p106	PL1/2"X5 1/2"		1'	2"	A572-GR.50		11	
2	24FR3	FRAME						248	
2	24FR3	L4X4X1/4		6'	11 11/16"	A36		92	
2	a109	L4X4X1/4		6'	11 11/16"	A36		92	
4	a193	L2X2X1/4		2'	0 1/4"	A36		26	
8	a194	LSX3X3/8		0'	6"	A36		39	
Total Weight :							4719		



ONE - FRAME - 24FR1
GALVANIZED



ONE - FRAME - 24FR2
GALVANIZED



2 - FRAMES - 24FR3
GALVANIZED

