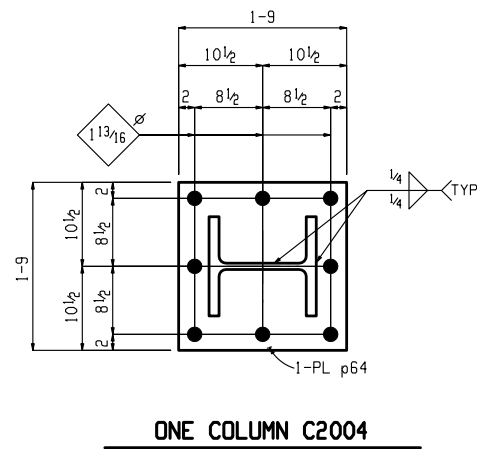
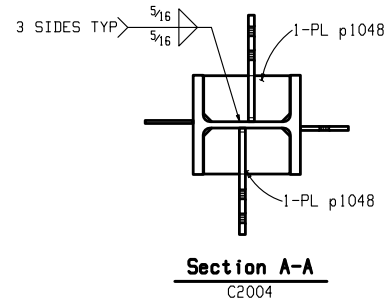
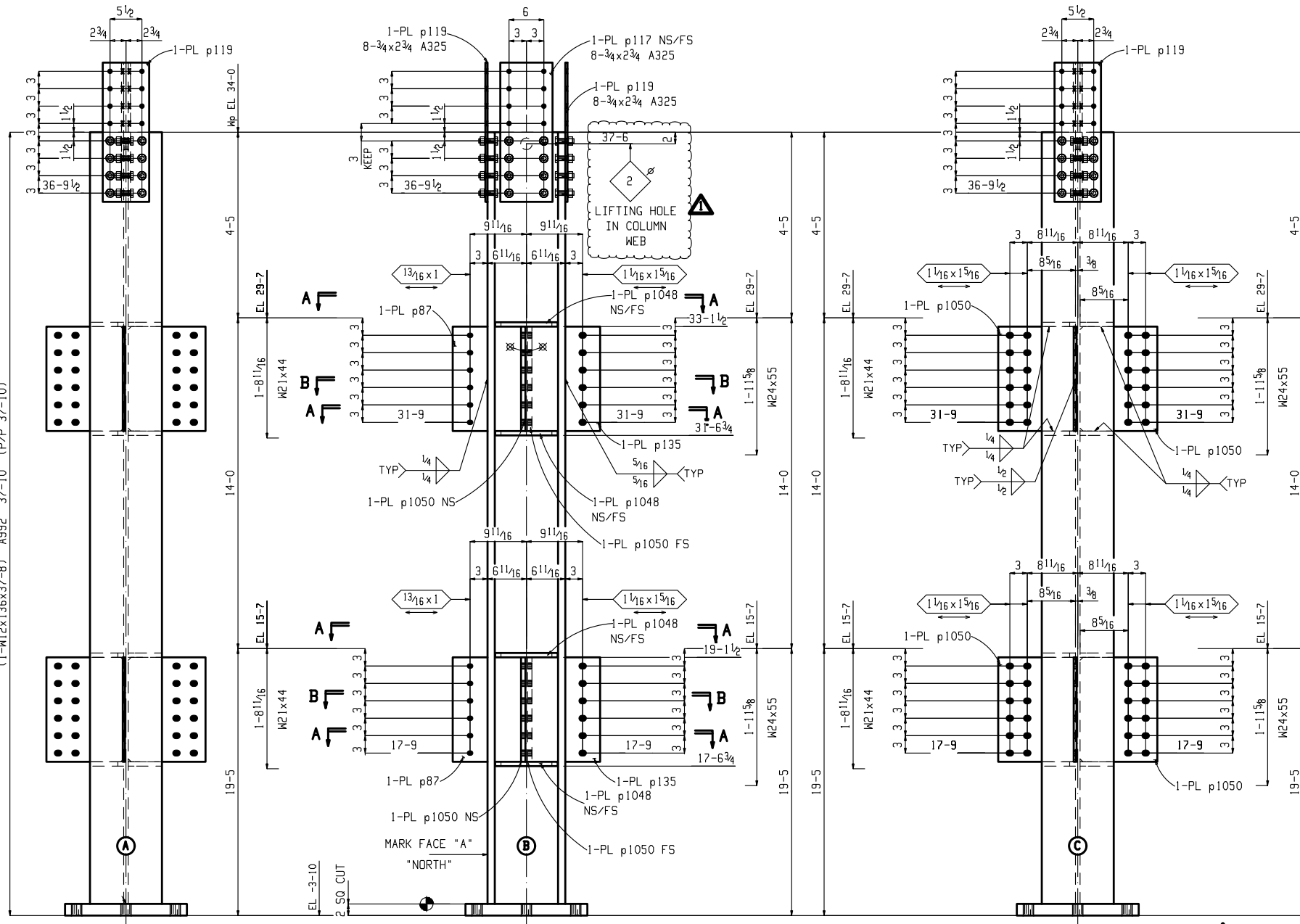
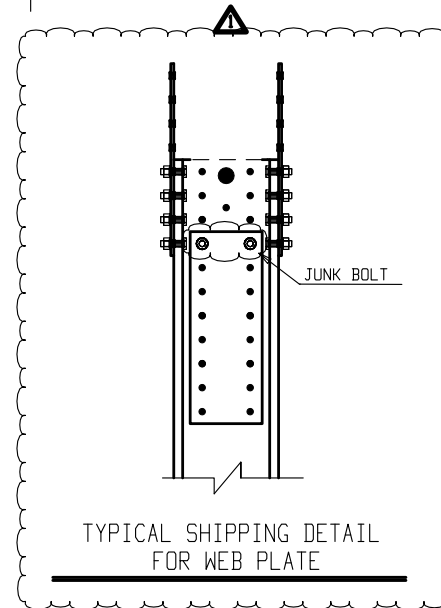
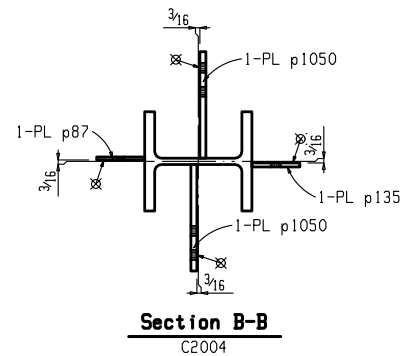


(1-W12x136x37-8) A992 37-10 (P/P 37-10)



W 13 3/8 x 13 1/8
F 12 3/8 x 1 1/4
K 2 1/8 x 1 1/4
SHOP BOLTS:
24-3/4 x 2 3/4 A325
AT GRID:
Y4 & X9



BILL OF MATERIAL

SEQ	QTY	ERECT MARK	QTY UNIT	SHAPE	LENGTH	ASSY MARK	REMARKS	STEEL GRADE	WEIGHT UNIT
A2	ONE	C2004		COLUMN					5843
	1		1	W12x136	37 8	C2004	S1E	A992	5123
	1		1	PL2x21	1 9	p64		A36	250
	4		4	PL 3/4 x 13 5/16	1 6	p1050		A36	51
	8		8	PL 3/4 x 5 3/4	0 10 3/4	p1048		A36	13
	2		2	PL 1/2 x 6	1 6	p135		A36	15
	2		2	PL 3/8 x 9	2 0	p117		A36	23
	2		2	CP 3/8 x 8	2 0	p119		A36	22
	2		2	PL 3/8 x 6	1 6	p87		A36	11
	24		24	3/4 Dia A325	0 2 3/4		+1HD WASH		1