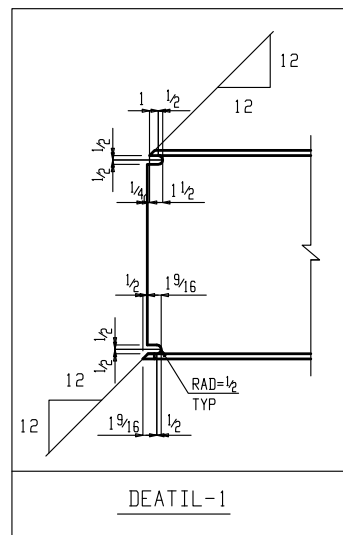
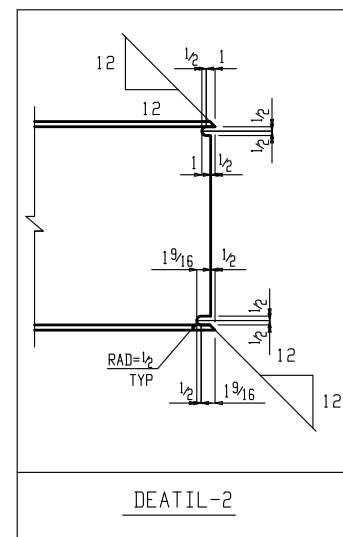
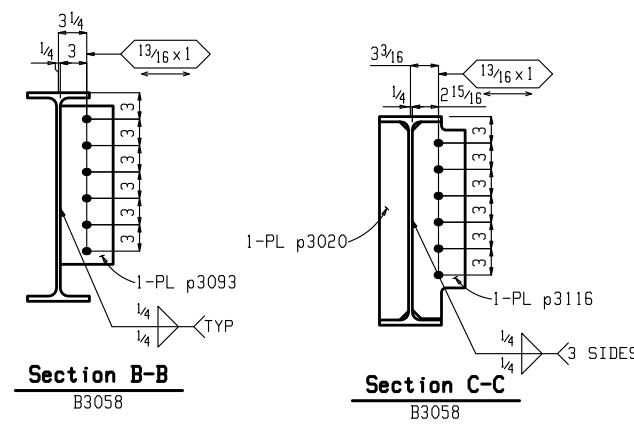
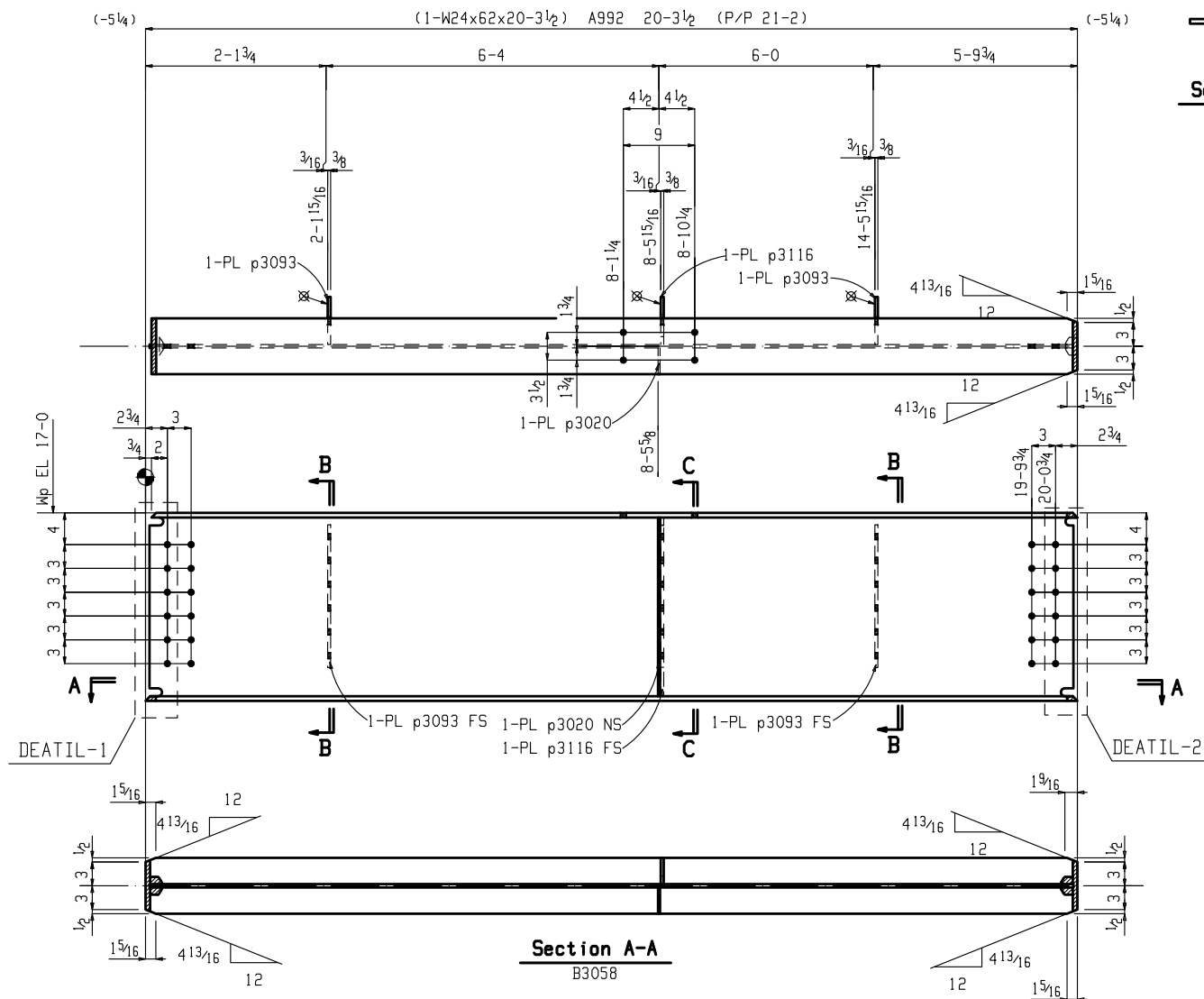


BILL OF MATERIAL

SEQ	QTY	ERECT MARK	QTY UNIT	SHAPE	LENGTH	ASSY MARK	REMARKS	STEEL GRADE	WEIGHT UNIT
3	ONE	B3058		BEAM					1301
	1		1	W24x62	20 3/2	B3058	P2E	A992	1258
	1		1	PL 3/8x6	1 10 3/8	p3116		A36	14
	2		2	PL 3/8x6	1 6	p3093		A36	11
	1		1	PL 1/4x3 3/16	1 10 1/2	p3020		A36	5
				FIELD BOLTS					
	24			3/4 Dia A325	0 2		+1HD WASH		



LEFT END LOADS:
SHEAR: 51.4 KIPS
MOMENT: 166.2 KIP-IN

LEFT END LOAD CAPACITIES:
SHEAR: 75.9 KIPS
MOMENT: 1280.3 KIP-IN

ONE BEAM B3058

W	23 11/16 x 7 1/16
F	7 1/16 x 9 1/16
K	1 1/2 x 1 1/8

RIGHT END LOADS:
SHEAR: 51.4 KIPS
MOMENT: 116.2 KIP-IN

RIGHT END LOAD CAPACITIES:
SHEAR: 75.9 KIPS
MOMENT: 1280.3 KIP-IN