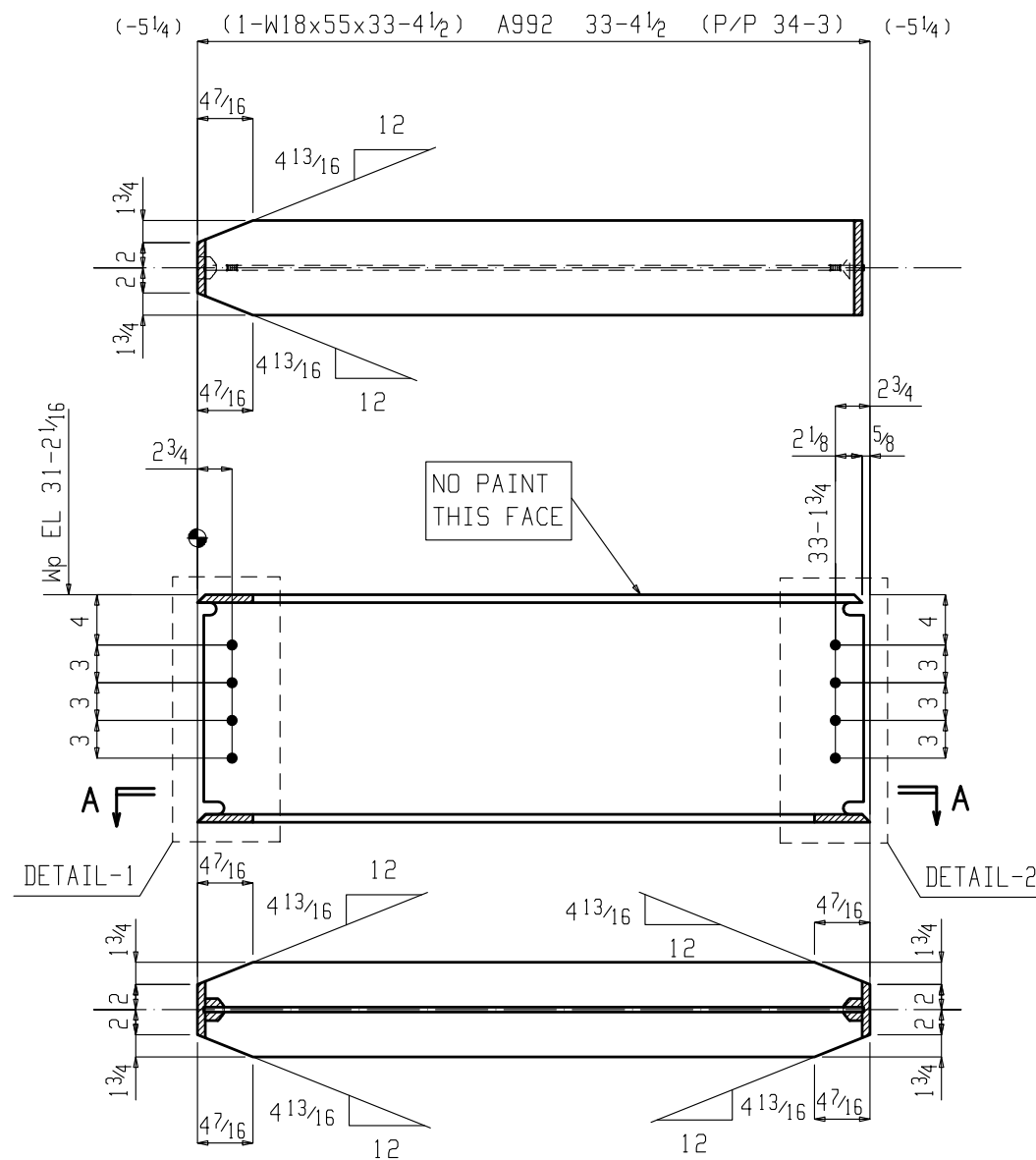


BILL OF MATERIAL

SEQ	QTY	ERECT MARK	QTY UNIT	SHAPE	LENGTH	ASSY MARK	REMARKS	STEEL GRADE	WEIGHT UNIT
3	ONE	B3047		BEAM					1836
	1		1	W18x55	33 4 1/2	B3047	P2E	A992	1836
				FIELD BOLTS					
	8			3/4 Dia A325	0 2		+1HD WASH		



**Section A-A**

B3047

**ONE BEAM B3047**

LEFT END LOADS:  
SHEAR: 13.2 KIPS  
MOMENT: 72.8 KIP-IN

LEFT END LOAD CAPACITIES:  
SHEAR: 25.3 KIPS  
MOMENT: 1380.1 KIP-IN

W	18 1/8 x 3/8
F	7 1/2 x 5/8
K	15 1/16 x 7/8

RIGHT END LOADS:  
SHEAR: 13.2 KIPS  
MOMENT: -72.5 KIP-IN

RIGHT END LOAD CAPACITIES:  
SHEAR: 25.3 KIPS  
MOMENT: 1380.1 KIP-IN

