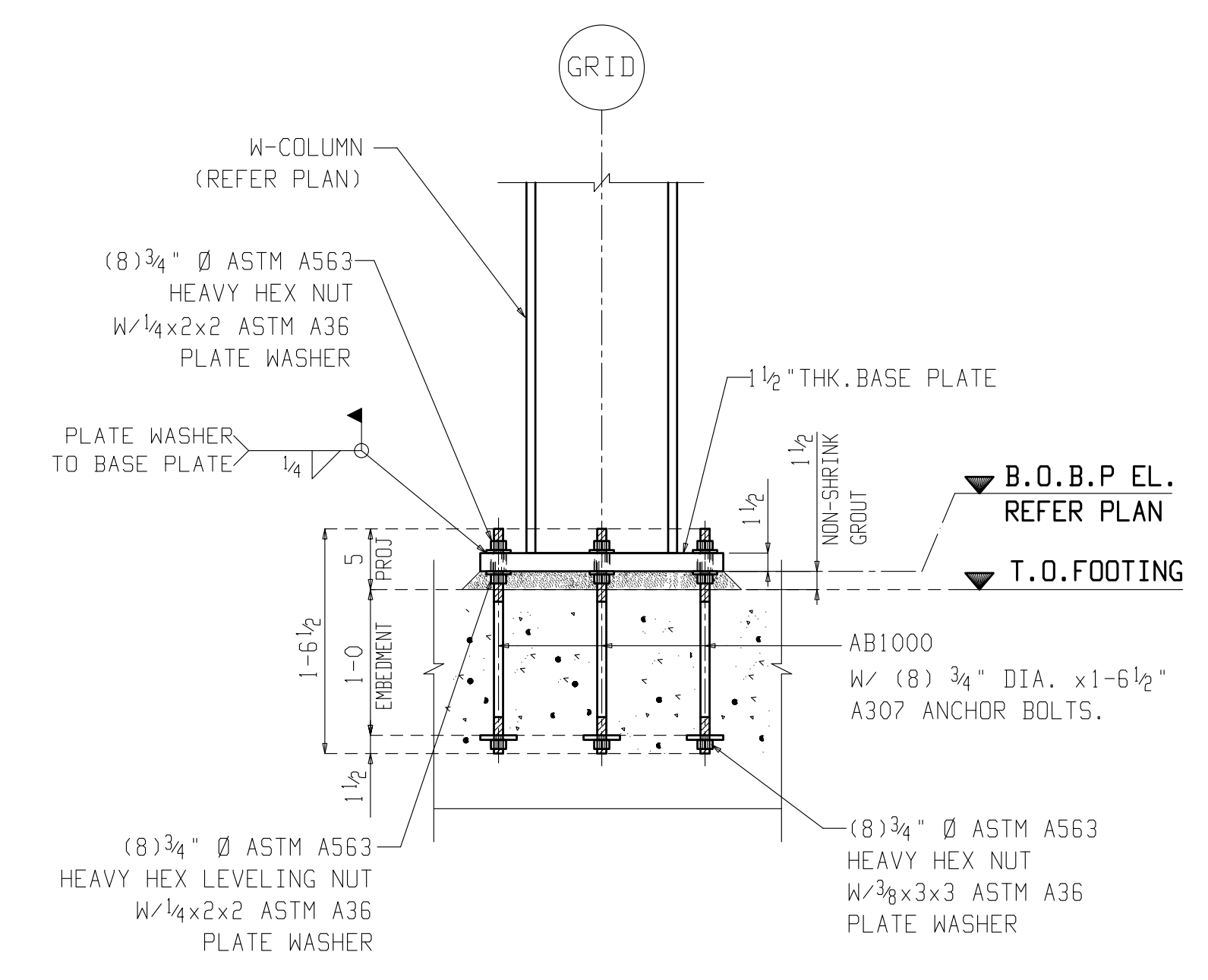


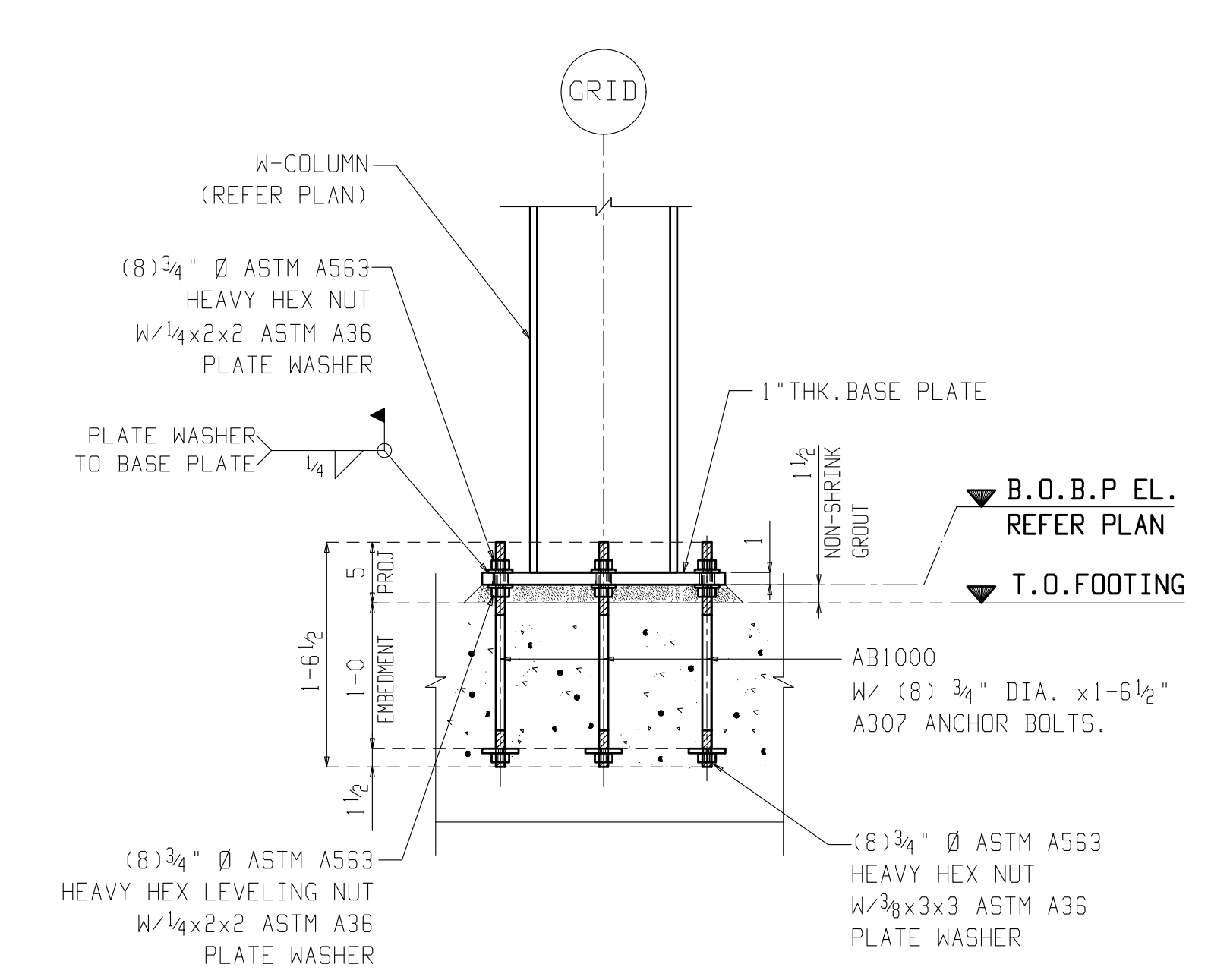
**ANCHOR BOLT SETTING DETAIL-A**  
(REFER S-401)  
SCALE = N.T.S.

**FIELD NOTE:**  
1. SEE LAYOUT PLAN FOR CORRECT ROTATION



**ANCHOR BOLT SETTING DETAIL-B**  
(REFER S-401)  
SCALE = N.T.S.

**FIELD NOTE:**  
1. SEE LAYOUT PLAN FOR CORRECT ROTATION



**ANCHOR BOLT SETTING DETAIL-C**  
(REFER S-401)  
SCALE = N.T.S.

**FIELD NOTE:**  
1. SEE LAYOUT PLAN FOR CORRECT ROTATION