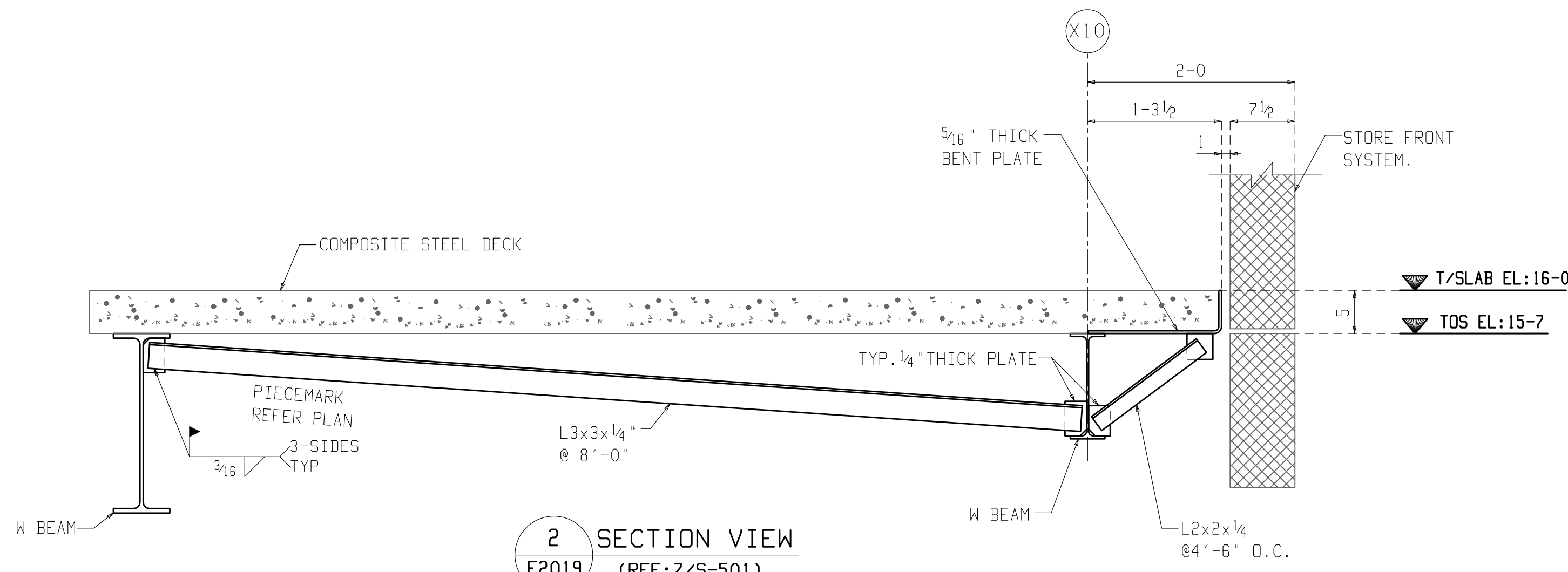
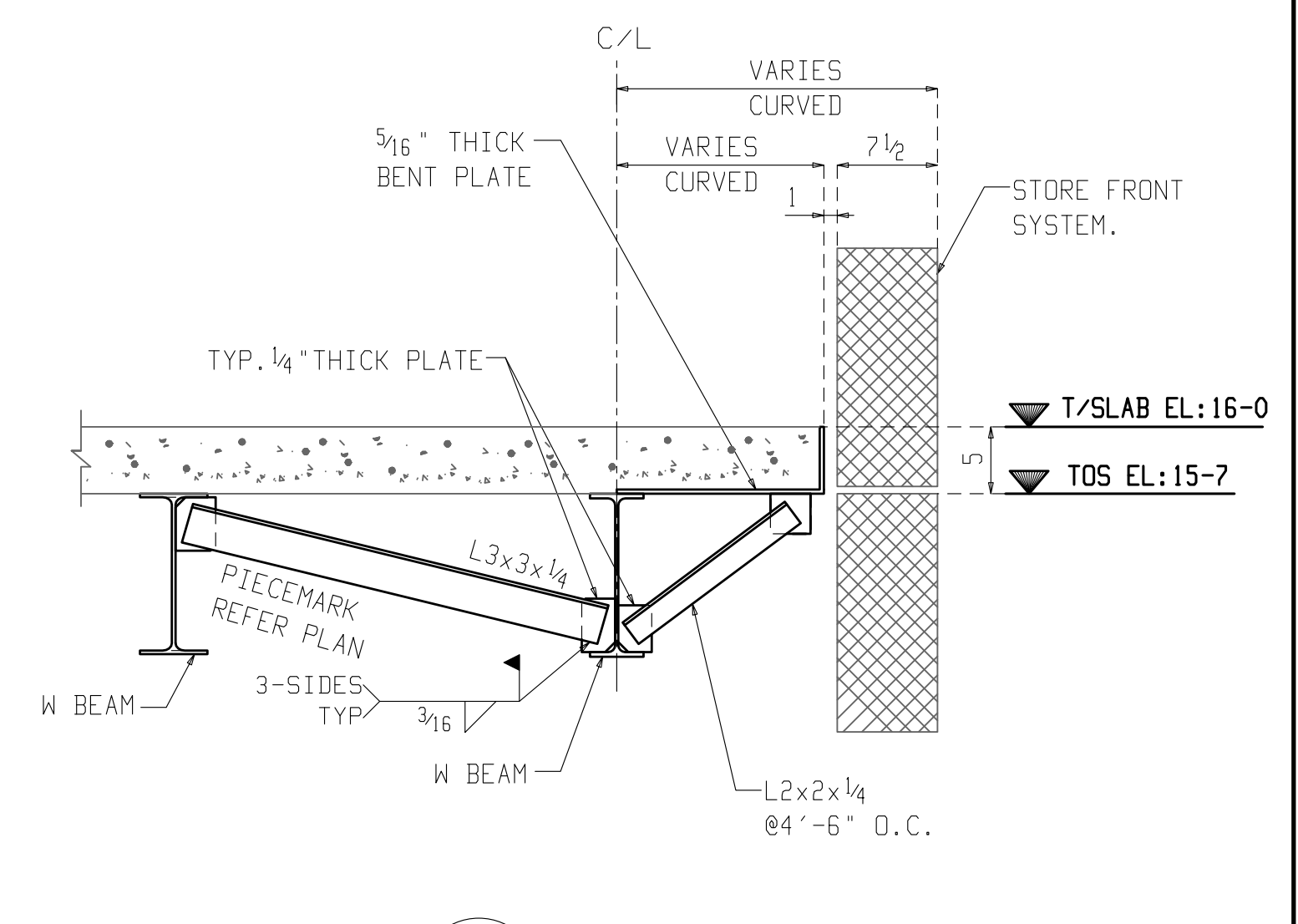


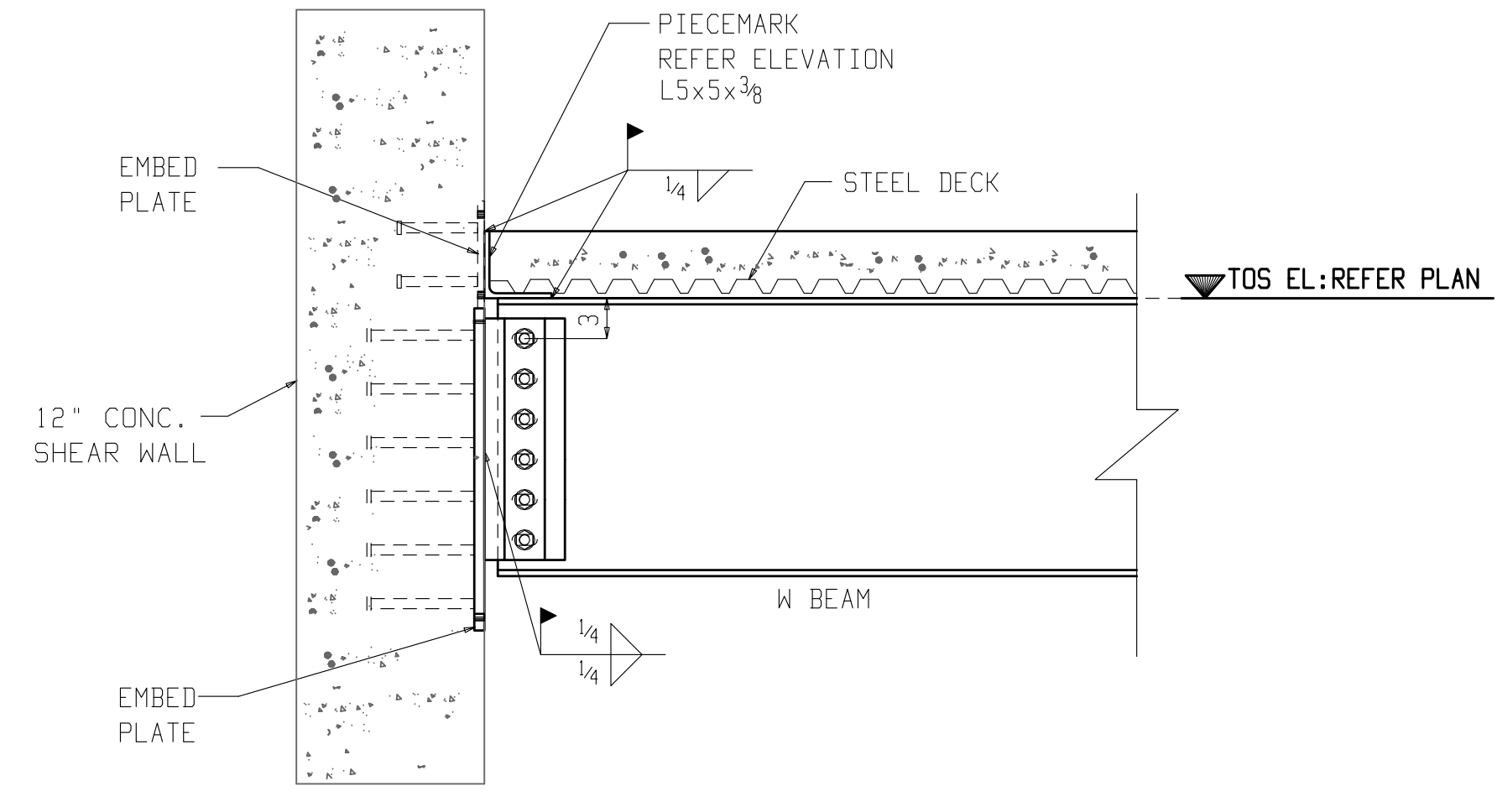
1 SECTION VIEW
E2019 (REF: 6/S-501)



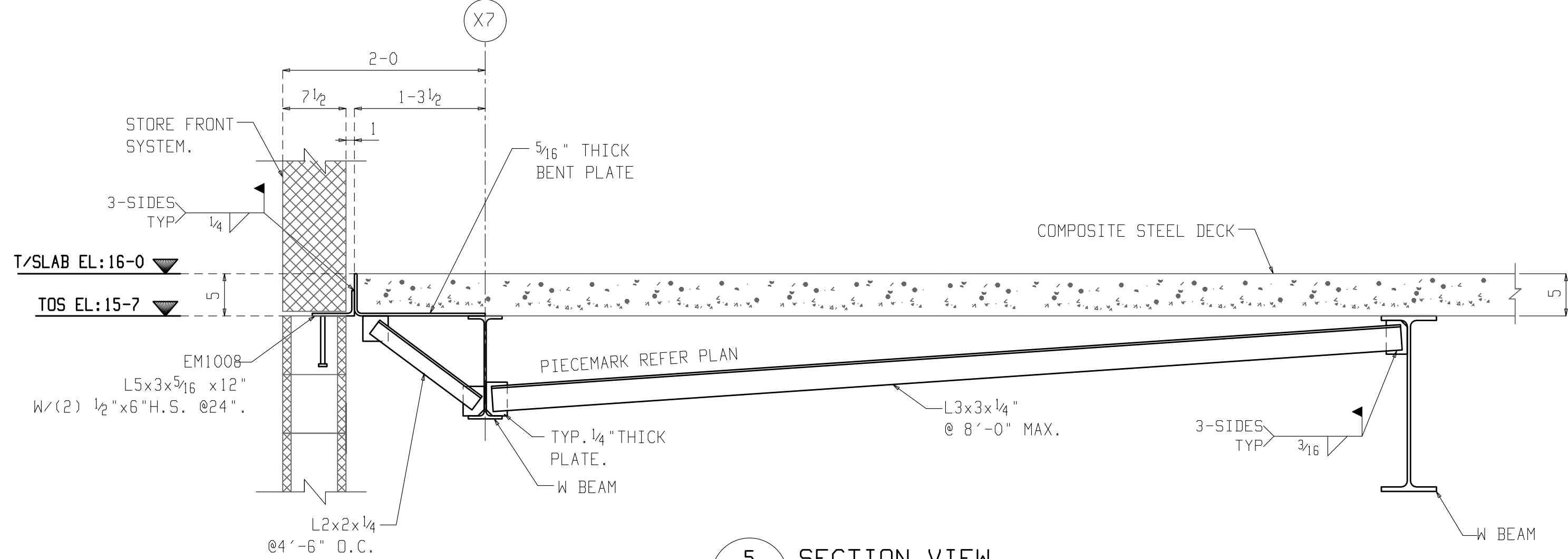
2 SECTION VIEW
E2019 (REF: 7/S-501)



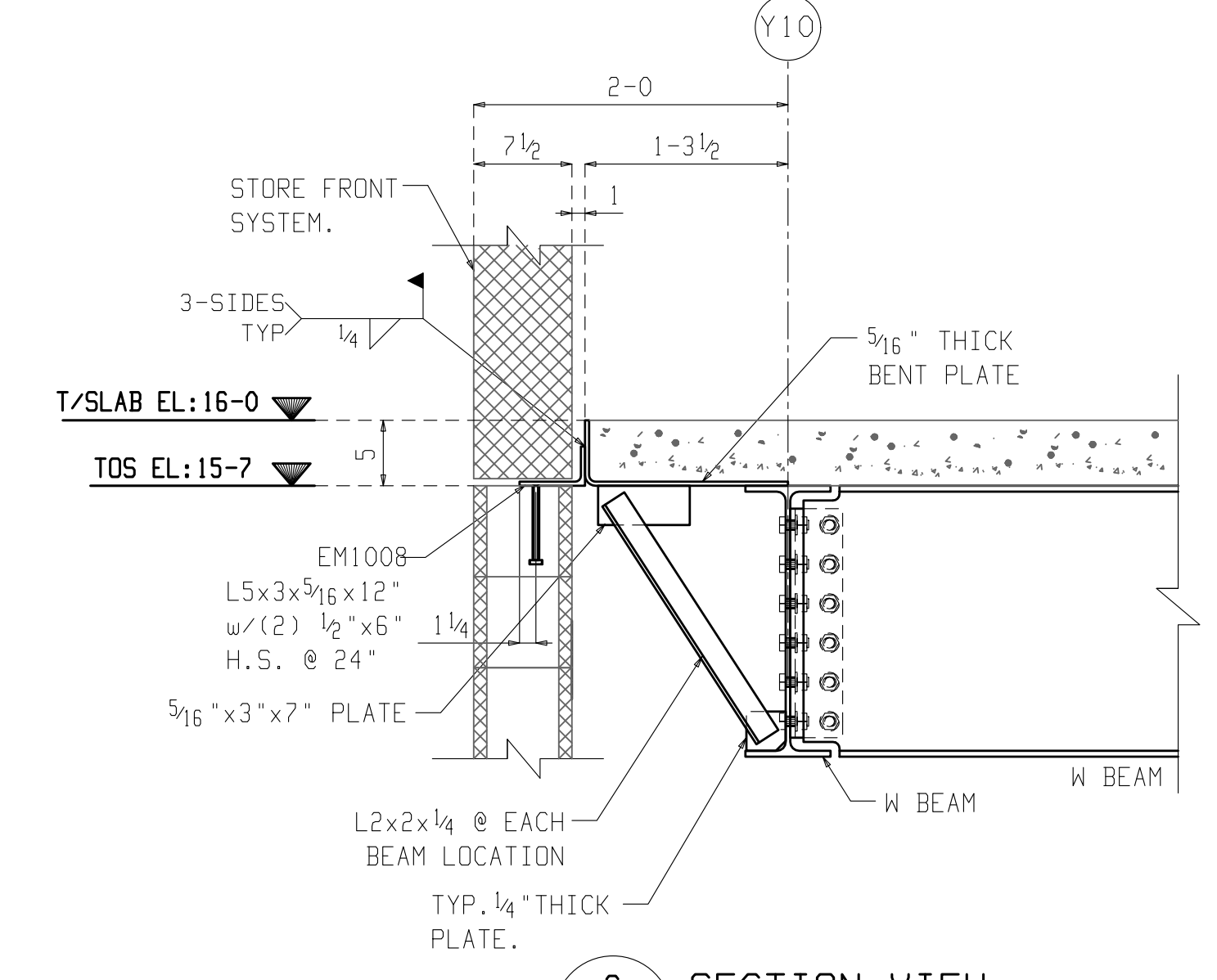
3 SECTION VIEW
E2019 (REF: 8/S-501)



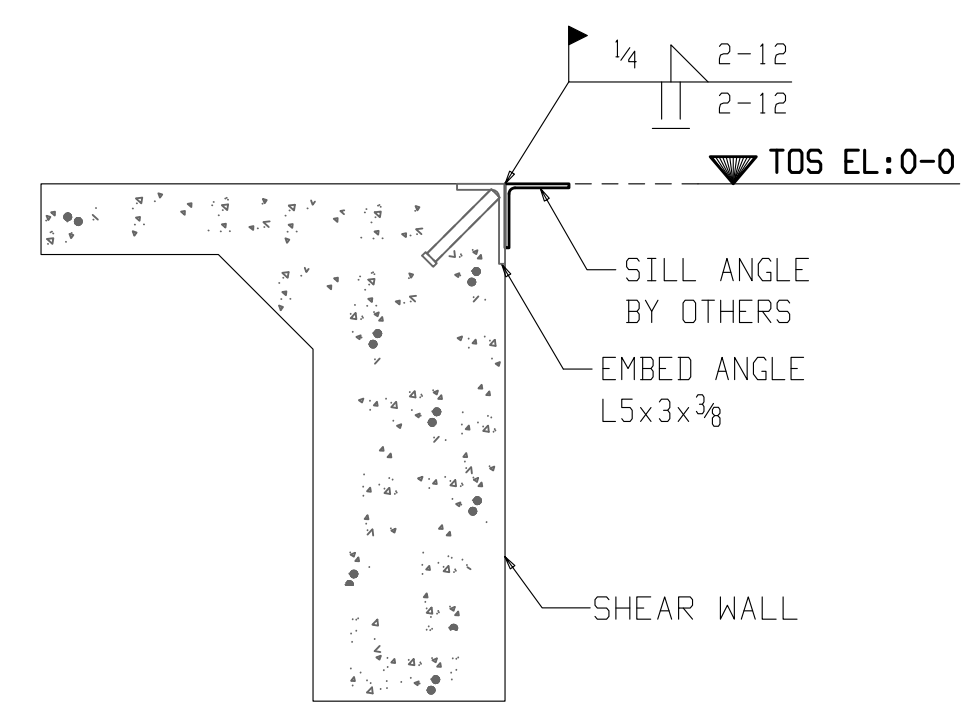
4 SECTION VIEW
E2019 (TYP. FLOOR EDGE TO CONC. WALL DETAIL)
(REF: 12/S-501)



5 SECTION VIEW
E2019 (REF: 5/S-502)



6 SECTION VIEW
E2019 (REF: 6/S-502)



7 SECTION VIEW
E2019 (REF: 1/S-402)