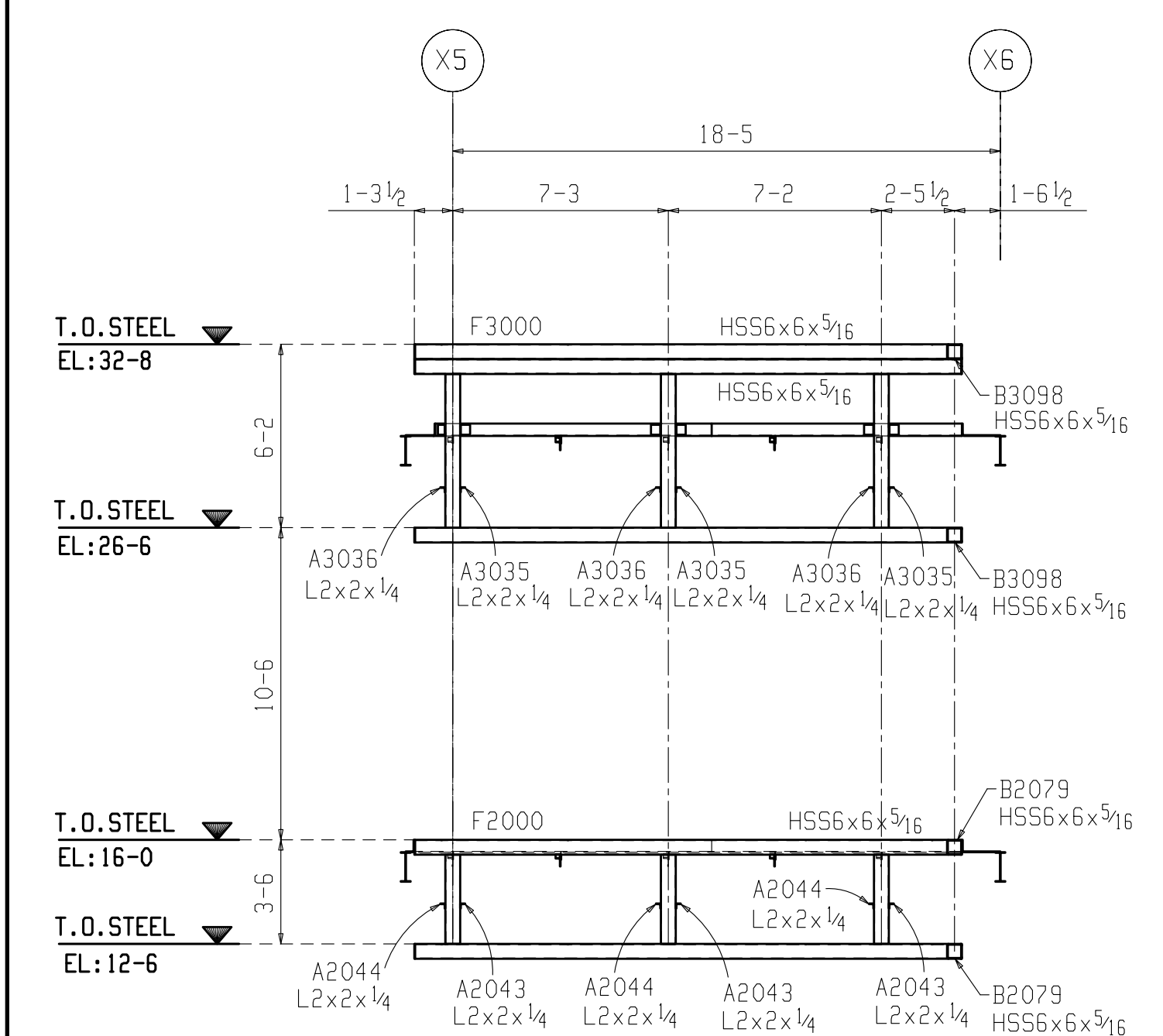
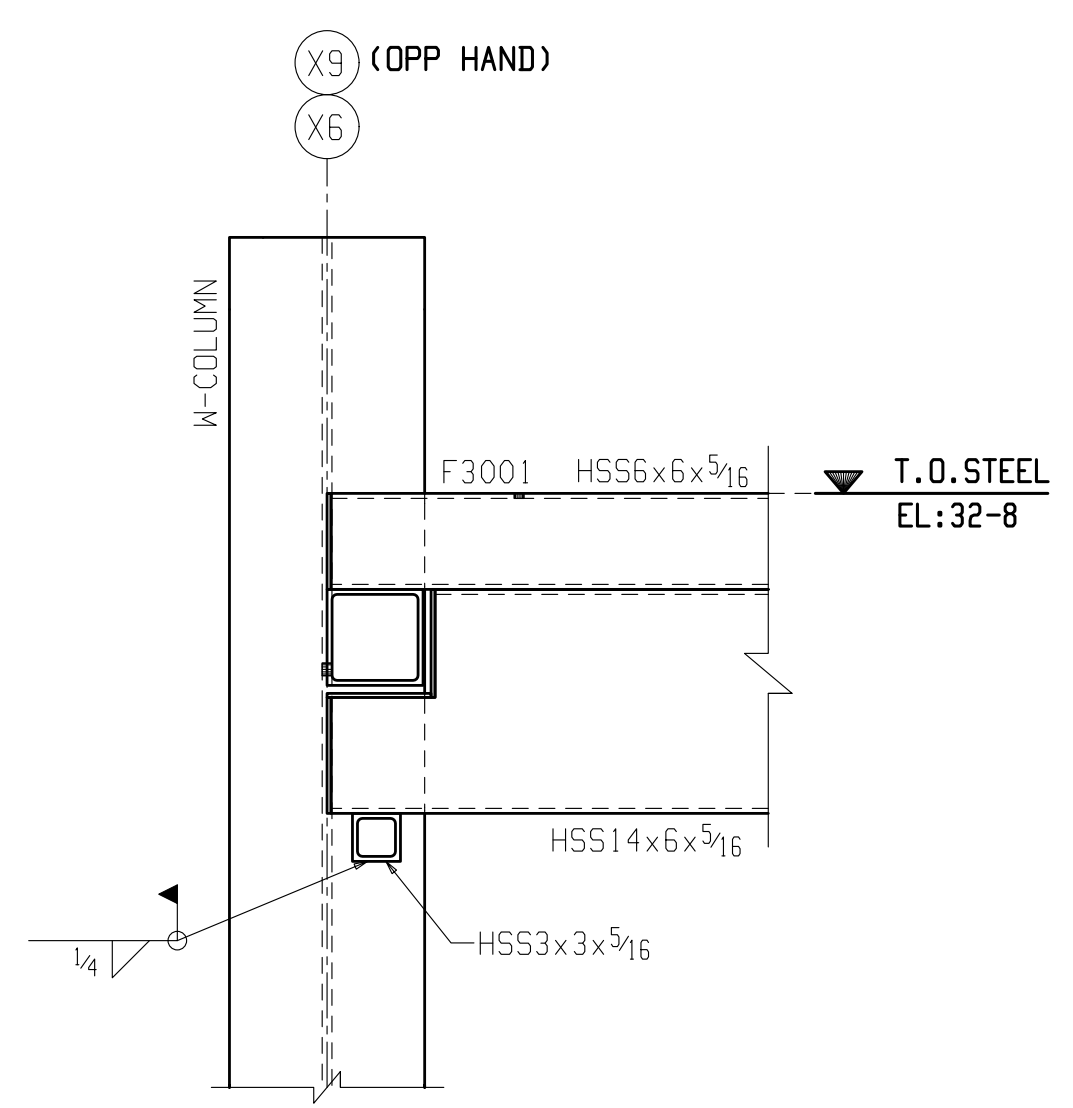


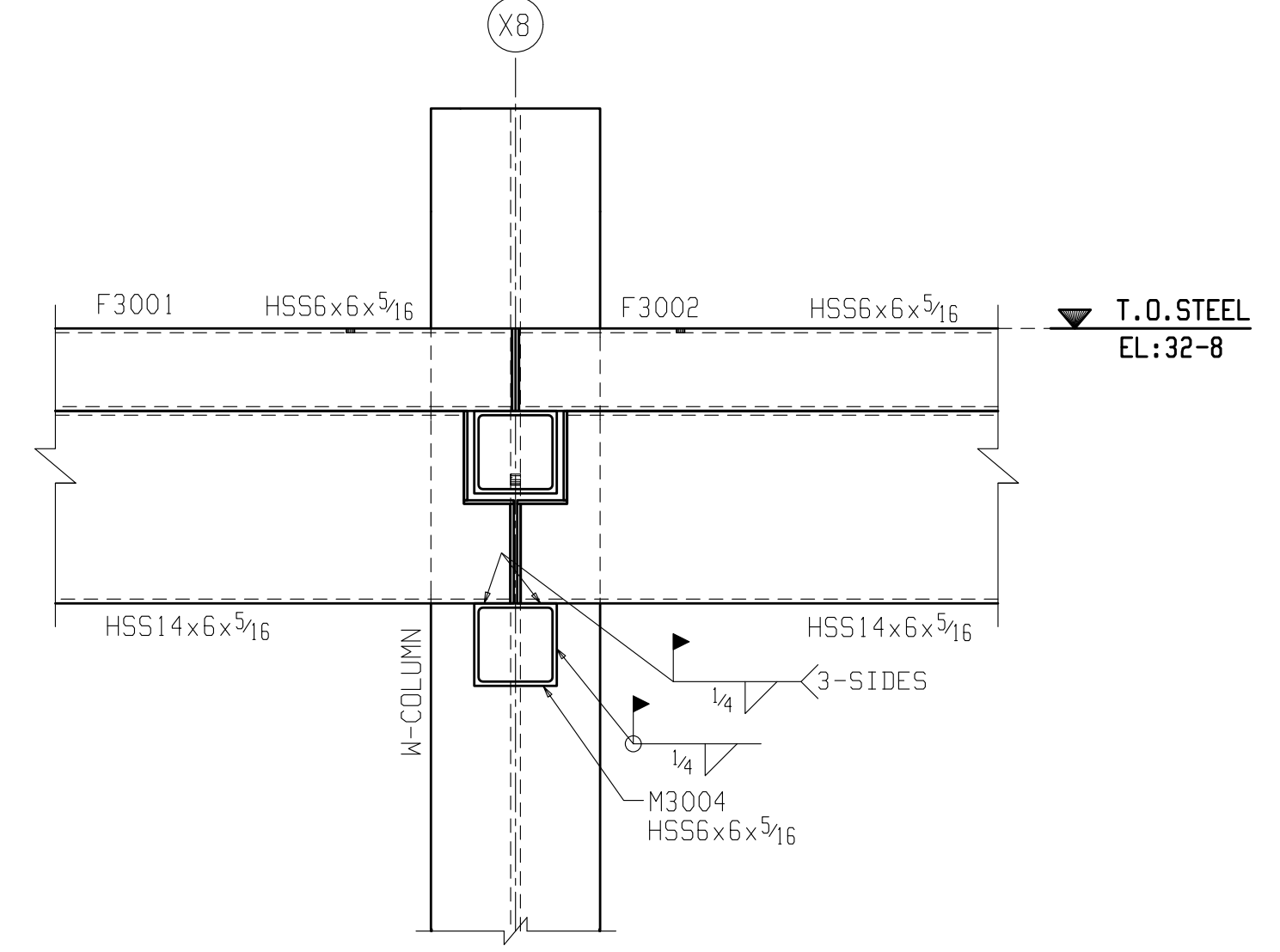
1 SECTION VIEW
E2014 EXT. WALL FRAMING IN FRONT OF GRID LINE Y1
(REF. 1/S-201)



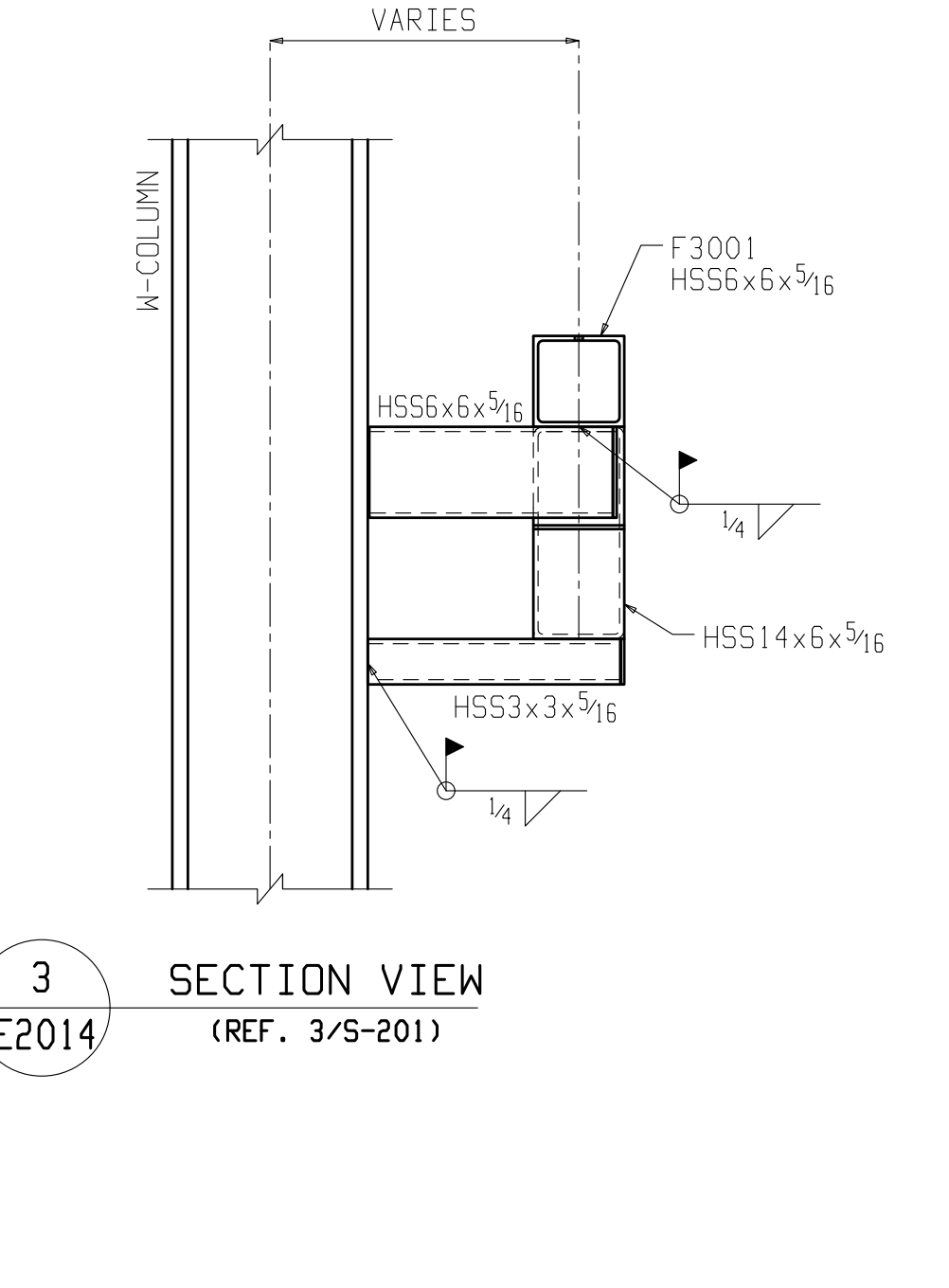
2 SECTION VIEW
E2014 EXT. WALL FRAMING BEHIDE GRID LINE Y2
(REF. 2/S-201)



1 DETAIL VIEW
E2014 (REF. 3/S-201)



2 DETAIL VIEW
E2014 (REF. 3/S-201)



3 SECTION VIEW
E2014 (REF. 3/S-201)