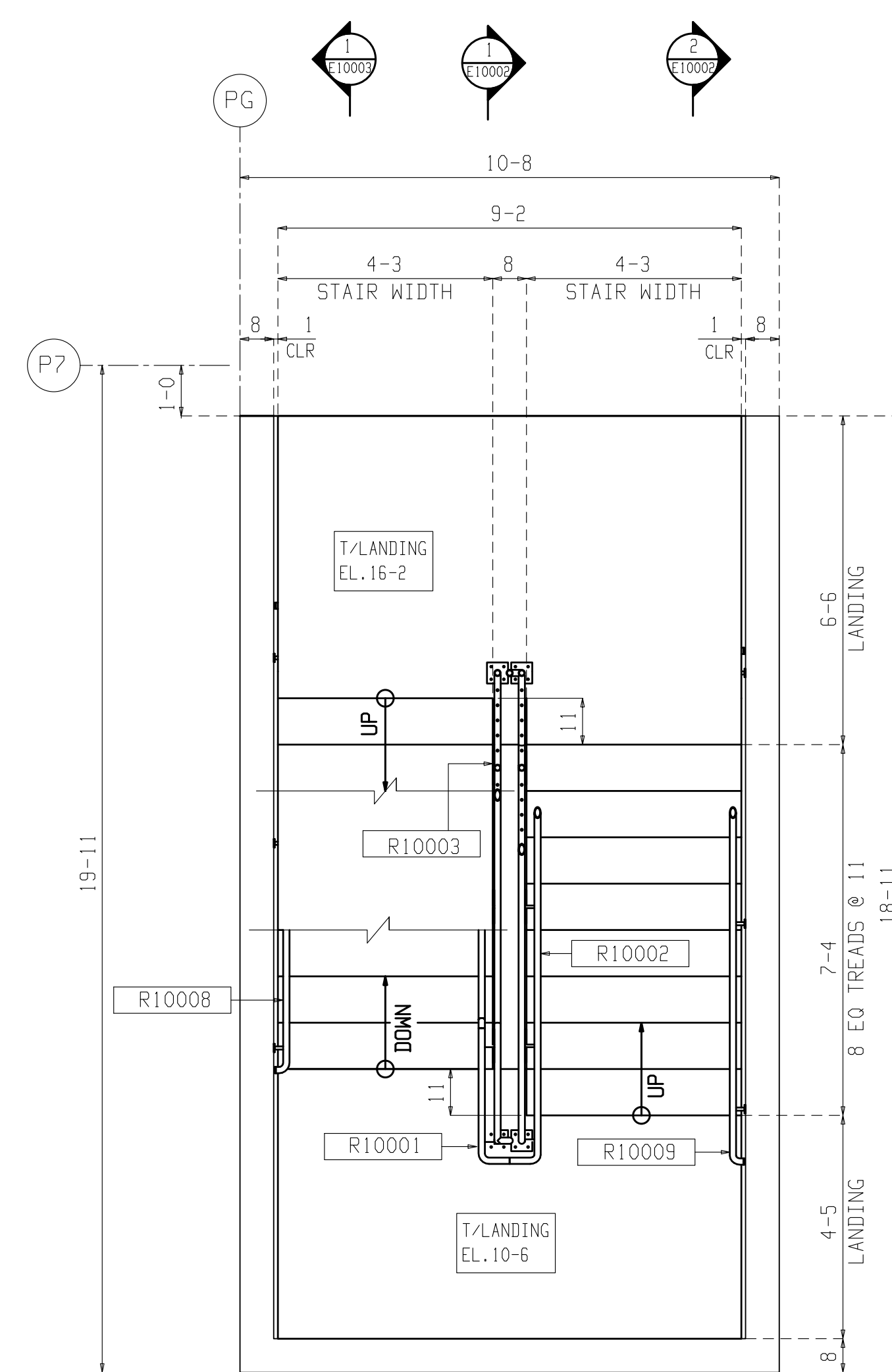
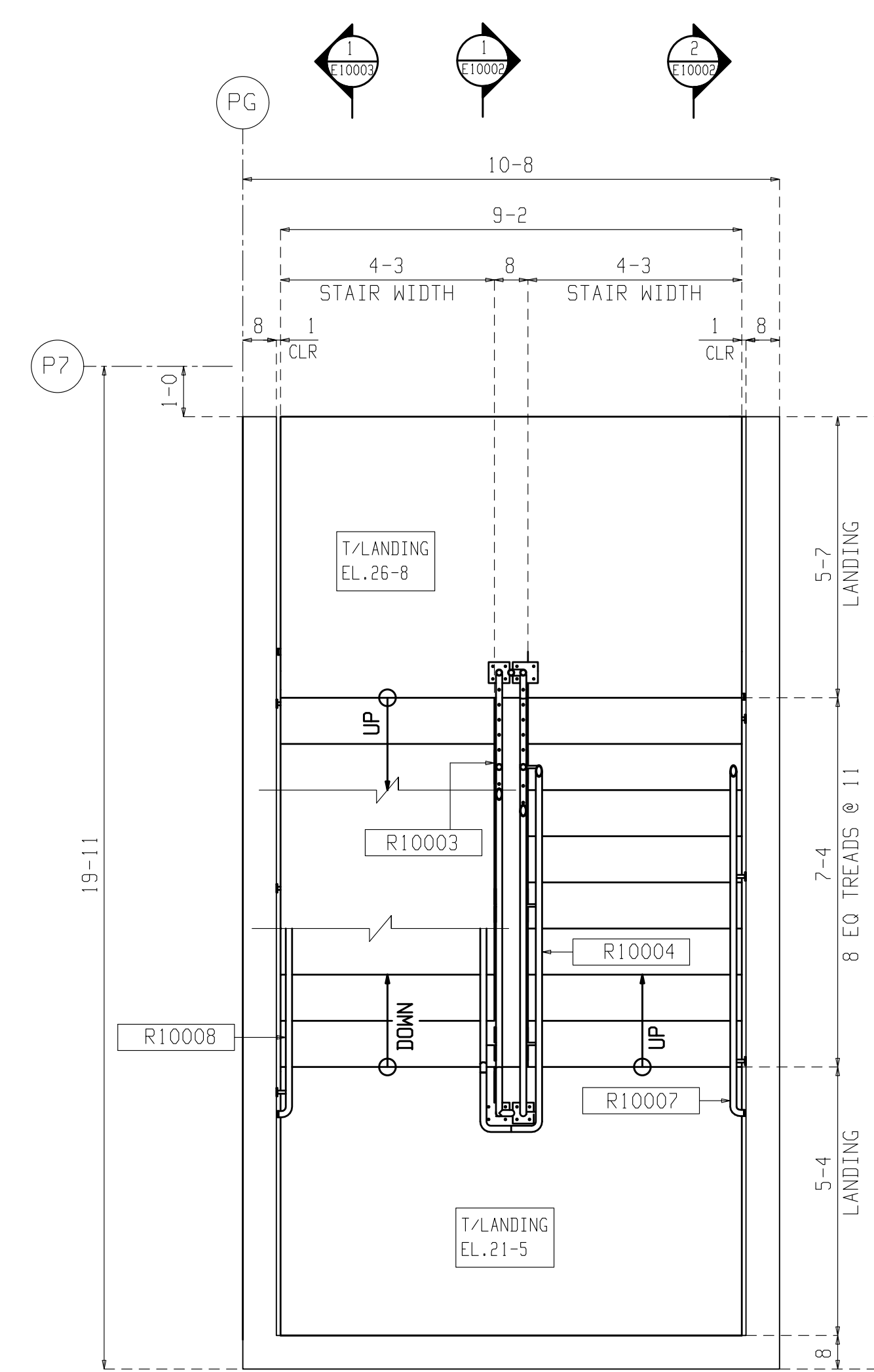


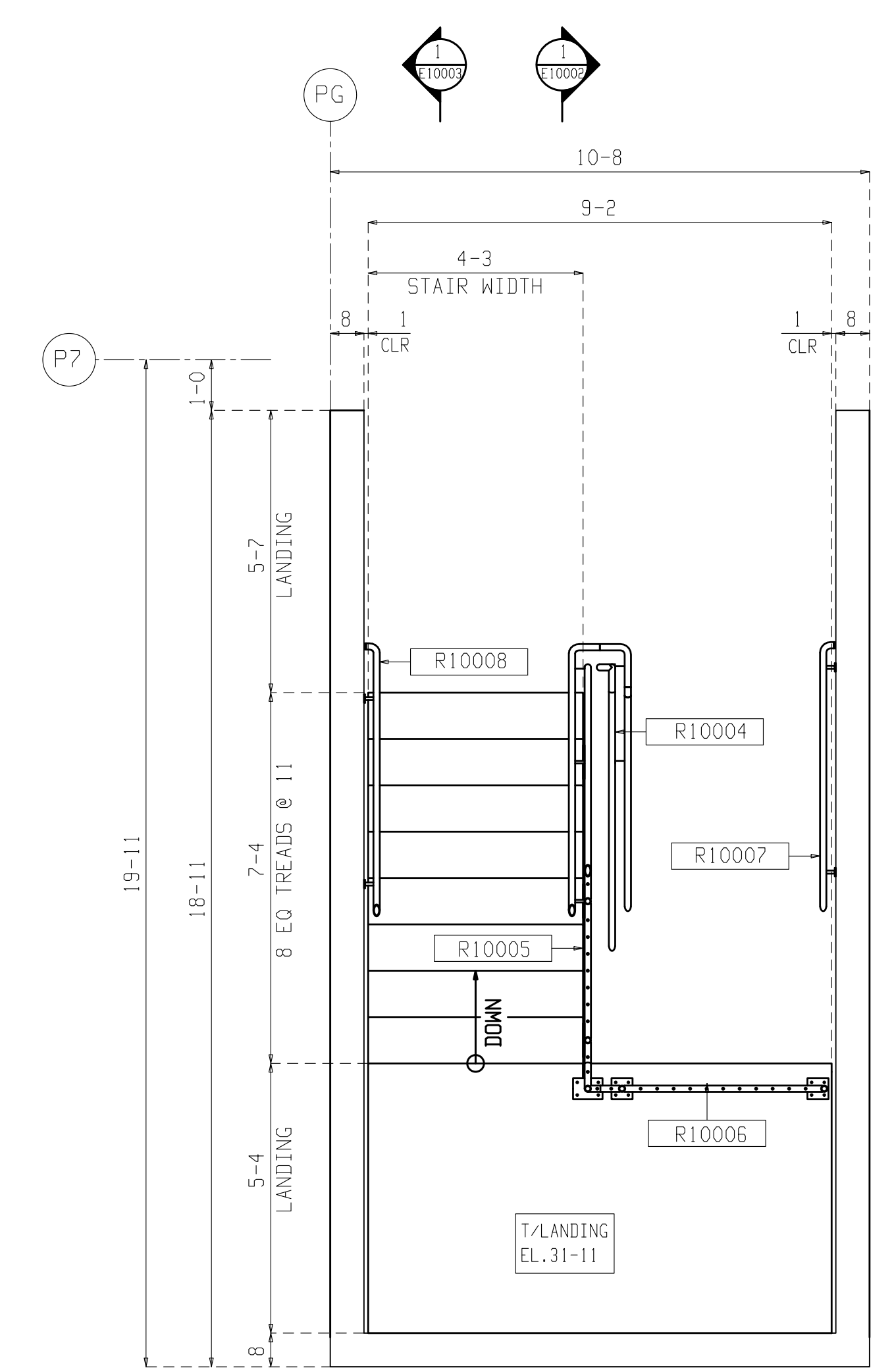
STAIR#1 FRAMING PLAN (LEVEL-1)
 (T/SLAB & T/LANDING ELEVATIONS ARE NOTED ON PLAN)
 (REF. 1/E4.1)



STAIR#1 FRAMING PLAN (LEVEL-2)
 (T/SLAB & T/LANDING ELEVATIONS ARE NOTED ON PLAN)
 (REF. 2/E4.1)



STAIR#1 FRAMING PLAN (LEVEL-3)
 (T/SLAB & T/LANDING ELEVATIONS ARE NOTED ON PLAN)
 (REF. 3/E4.1)



STAIR#1 FRAMING PLAN (LEVEL-4)
 (T/SLAB & T/LANDING ELEVATIONS ARE NOTED ON PLAN)
 (REF. 4/E4.1)