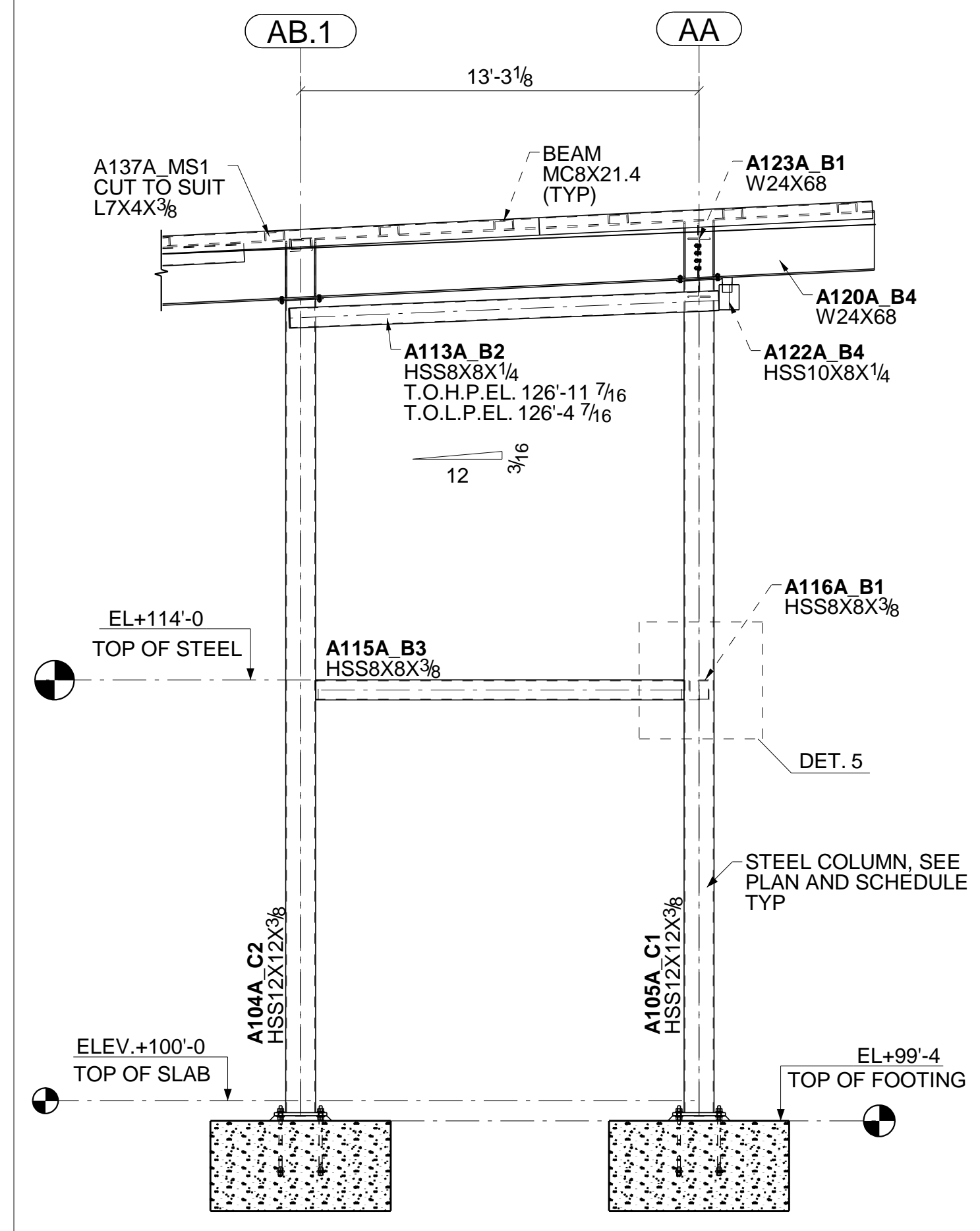
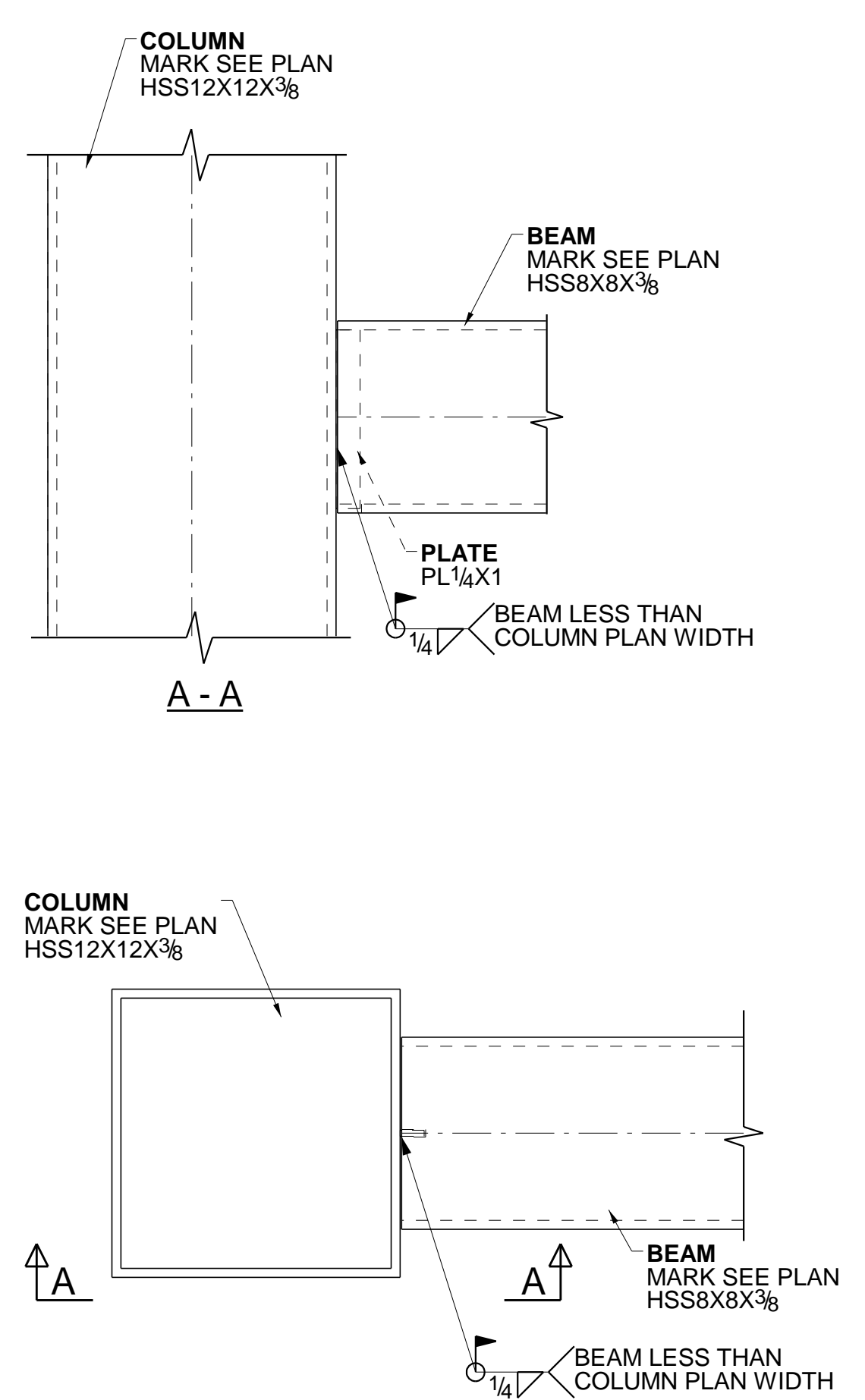


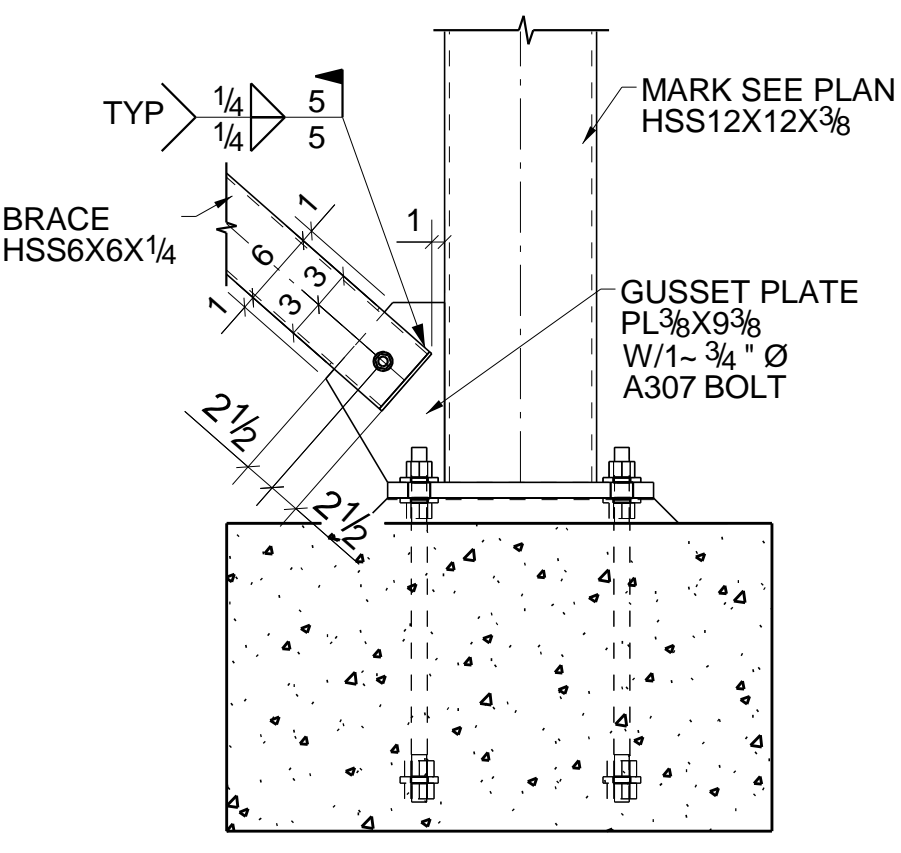
1 ELEVATION GRID AA
(REF DWG.NO: 1/S32.1)



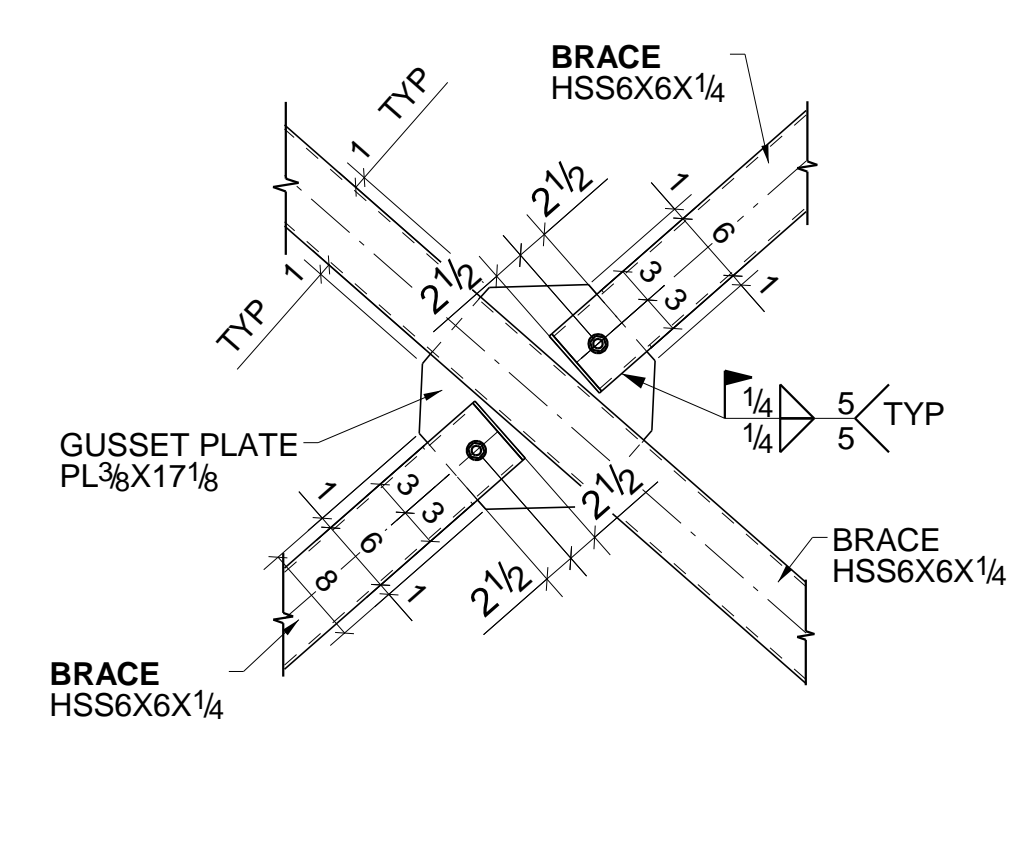
2 ELEVATION GRID A2
(REF DWG.NO: 3/S32.1)



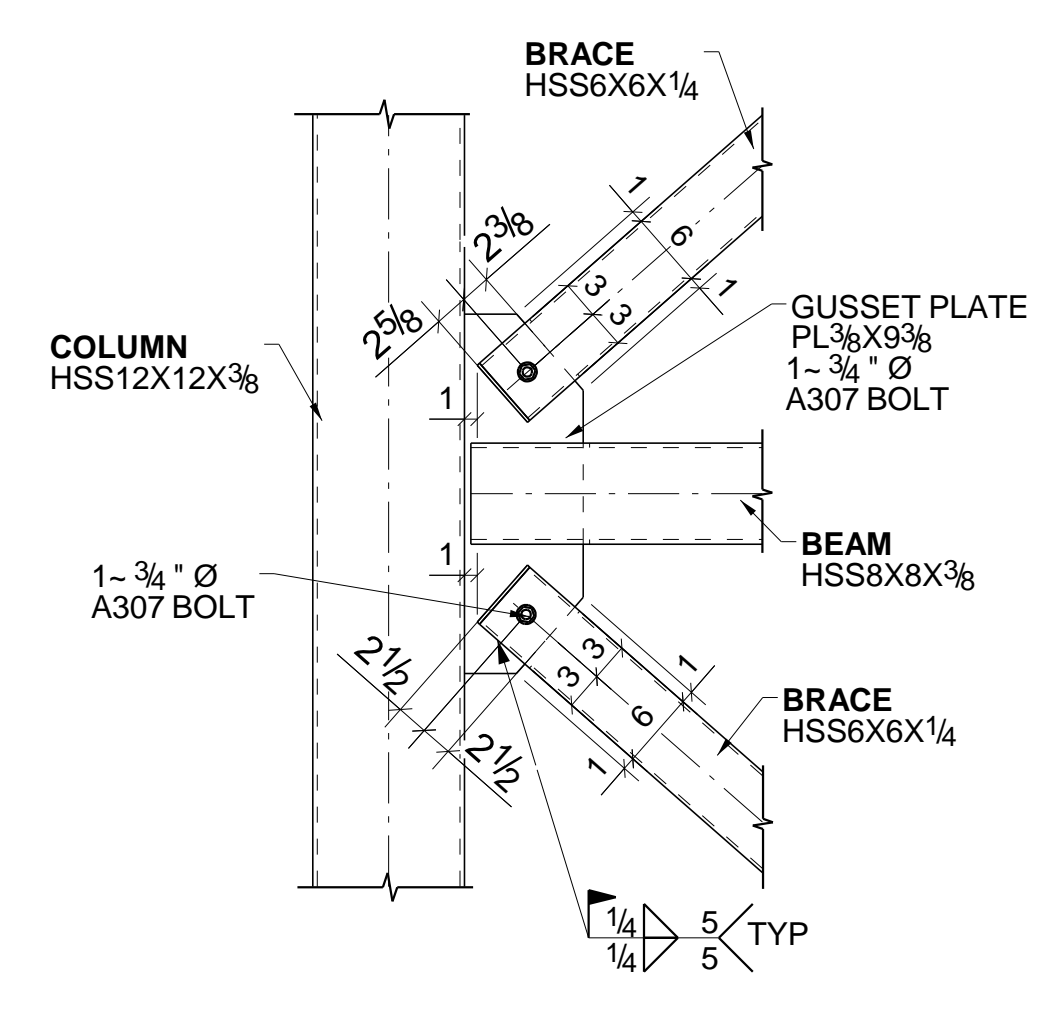
5 TYPICAL FRAMING DETAILS
(REF DWG.NO: 12/S44.6)



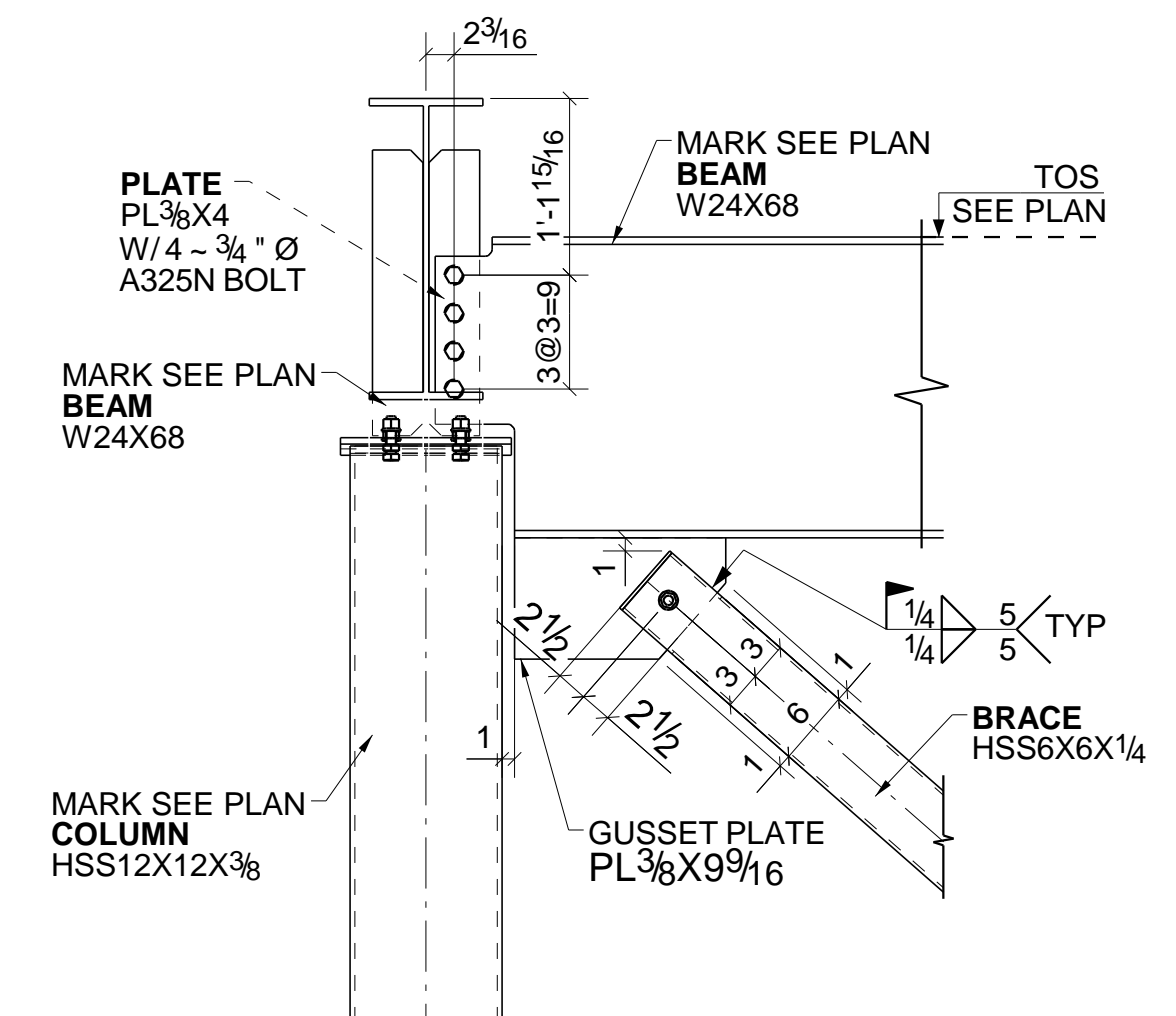
1 DETAIL 1
(REF. DWG: 1/S32.2)



2 DETAIL 2
(REF. DWG: 2/S32.2)



3 DETAIL 3
(REF. DWG: 3/S32.2)



4 DETAIL 4
(REF. DWG: 4/S32.2)

LEGEND:
T.O.S-TOP OF STEEL
EL-ELEVATION
T.O.EP-TOP OF EMBED PLATE