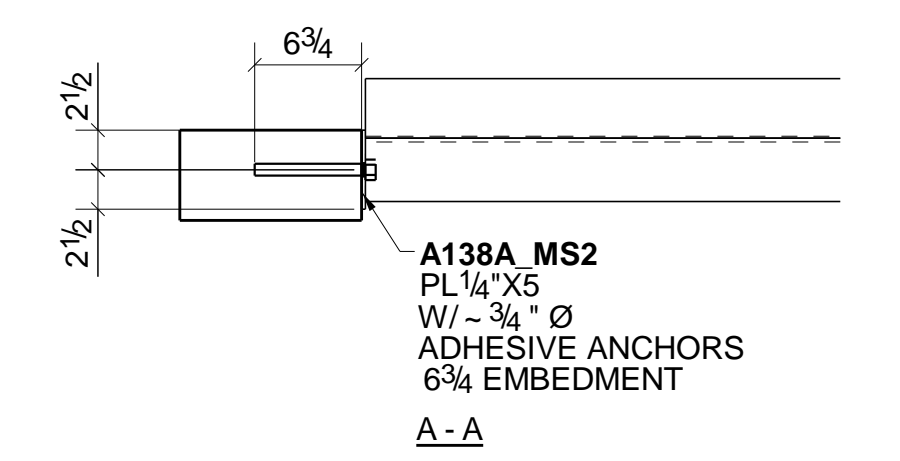
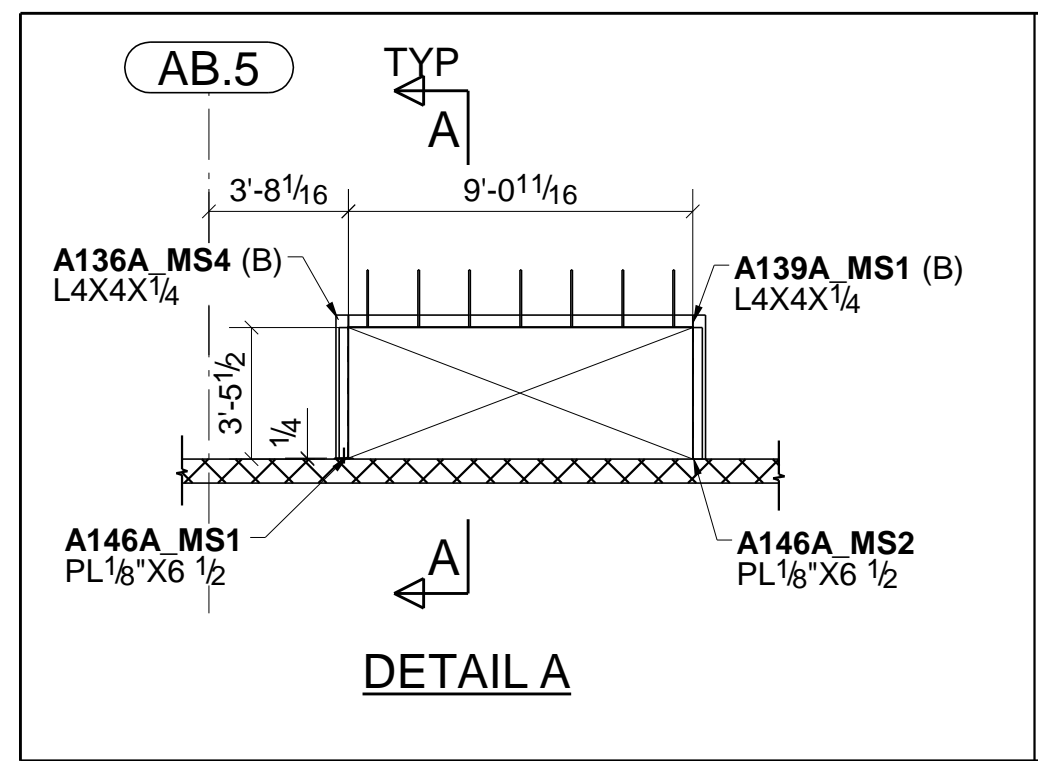


ALL STEEL SHOWN IN THIS SHEET ARE STANDARD SHOP PRIMER WITH SSPC-SP3 CLEANING



COLUMN MARKED (*) THUS, PLEASE REFER TYPICAL COLUMN DETAIL A- E9

COLUMN MARKED (#) THUS, PLEASE REFER TYPICAL COLUMN DETAIL A- E9

- LEGEND:
- T.O.S-TOP OF STEEL
 - EL-ELEVATION
 - T.O.H.P-TOP OF HIGH POINT
 - T.O.L.P-TOP OF LOW POINT
 - U.N.O-UNLESS NOTED OTHERWISE
 - T.O.EP-TOP OF EMBED PLATE

PARTIAL ROOF AND PENTHOUSE FRAMING PLAN - AREA A
 (REF DWG. NO: 1/S24.1)
 ALL BEAM PROFILES ARE W10X12 (U.N.O)
 ALL TOP OF BEAM ELEVATIONS ARE EL+114'-4" (U.N.O)

MATCH LINE 3-3 REF: C-1

MATCH LINE 1-1 REF: A-E2