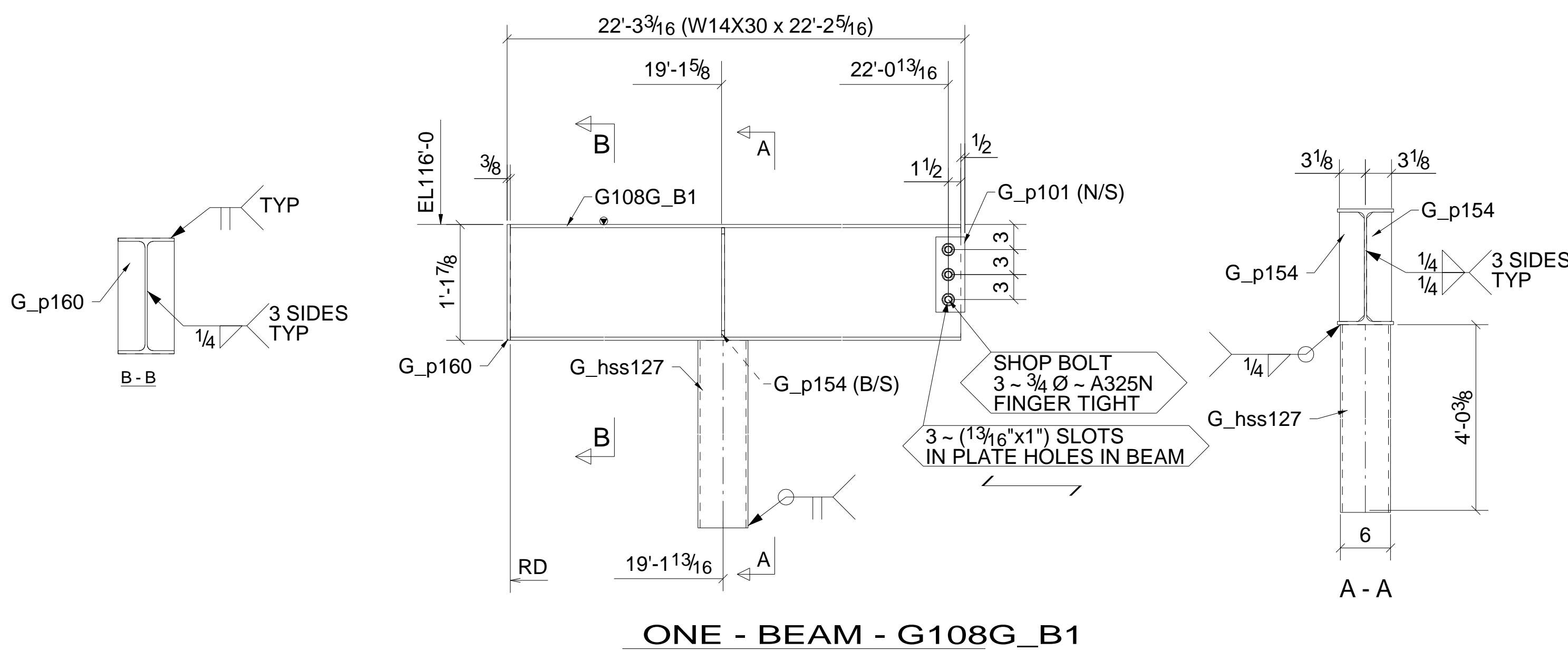
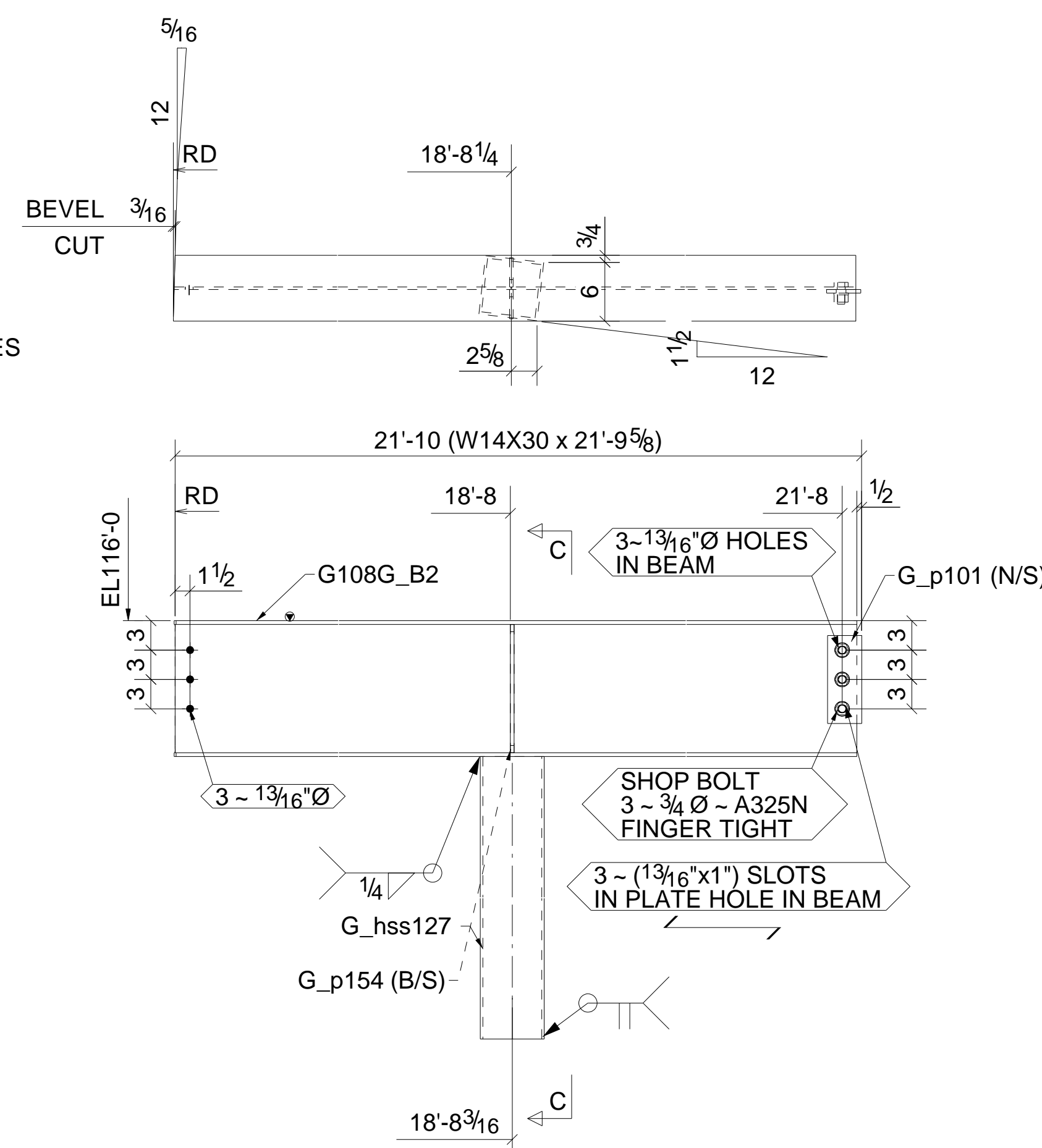


**BILL OF MATERIAL**

LINE #	QTY	PC MARK	DESCRIPTION	LENGTH	REMARKS	WEIGHT	ADVANCE
1		G108G_B1	BEAM				
1		G108G_B1	W14X30	22'-2 5/16"	A992	668	
1		G_hss127	HSS6X6X1/4	4'-0 5/8"	A500-GR.C	72	
1		G_p101	PL3/8"X3 1/2"	0'-9"	A36	3	
2		G_p154	PL3/8"X3"	1'-1 1/8"	A36	8	
1		G_p160	PL3/8"X6 3/4"	1'-1 7/8"	A36	10	
3			3/4"Ø A325N BOLT	0'-1 3/4"	Workshop	2	
#	TOTAL	MARK	DESCRIPTION		REMARKS	TOTAL	MILL#
1		G108G_B2	BEAM				
1		G108G_B2	W14X30	21'-0 5/8"	A992	657	
1		G_hss127	HSS6X6X1/4	4'-0 5/8"	A500-GR.C	72	
1		G_p101	PL3/8"X3 1/2"	0'-9"	A36	3	
2		G_p154	PL3/8"X3"	1'-1 1/8"	A36	8	
3			3/4"Ø A325N BOLT	0'-1 3/4"	Workshop	2	
3			3/4"Ø A325N BOLT	0'-1 3/4"	Site	2	
#	TOTAL	MARK	DESCRIPTION		REMARKS	TOTAL	MILL#
1		G108G_B3	BEAM				
1		G108G_B3	W12X26	13'-0 5/16"	A992	339	
2		G_a119	L2X2X3/16	1'-7 1/2"	A36	8	
2		G_a120	L2X2X3/16	1'-6"	A36	7	
#	TOTAL	MARK	DESCRIPTION		REMARKS	TOTAL	MILL#
2		G108G_B4	BEAMS				
2		G108G_B4	W12X26	8'-3 9/16"	A992	432	
2		G_a121	L2X2X3/16	1'-7"	A36	8	
2		G_a122	L2X2X3/16	1'-6 13/16"	A36	8	
2		G_a141	L2X2X3/16	1'-7"	A36	8	
2		G_a142	L2X2X3/16	1'-6 13/16"	A36	8	
TOTAL WEIGHT THIS DRAWING						2323	

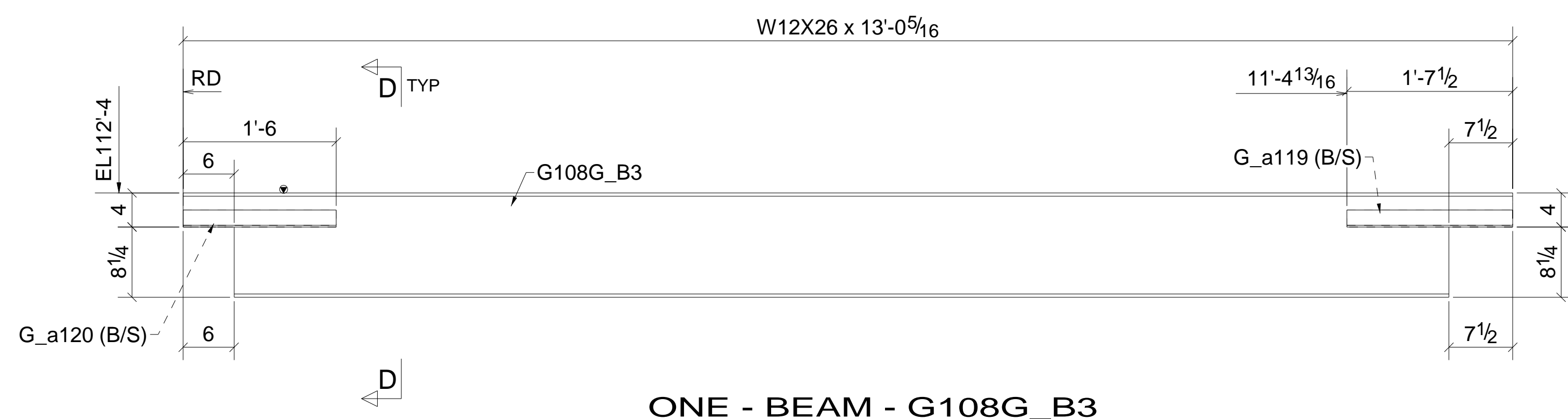


**ONE - BEAM - G108G\_B1**

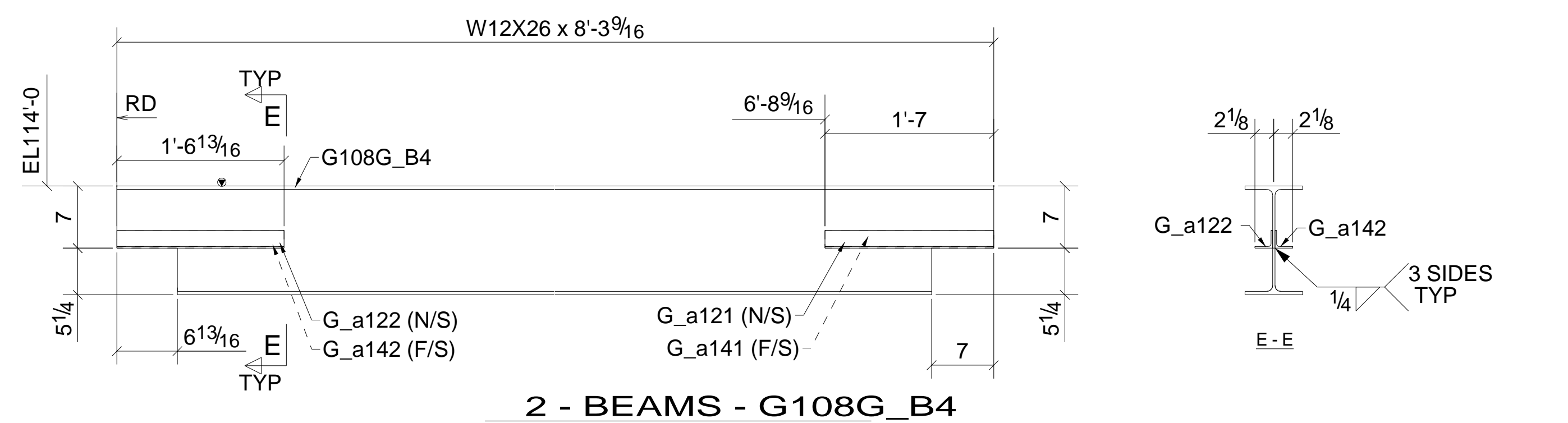


**ONE - BEAM - G108G\_B2**

( 3 - 3/4"Ø A325N BOLT x 0'-1 3/4" )



**ONE - BEAM - G108G\_B3**



**2 - BEAMS - G108G\_B4**