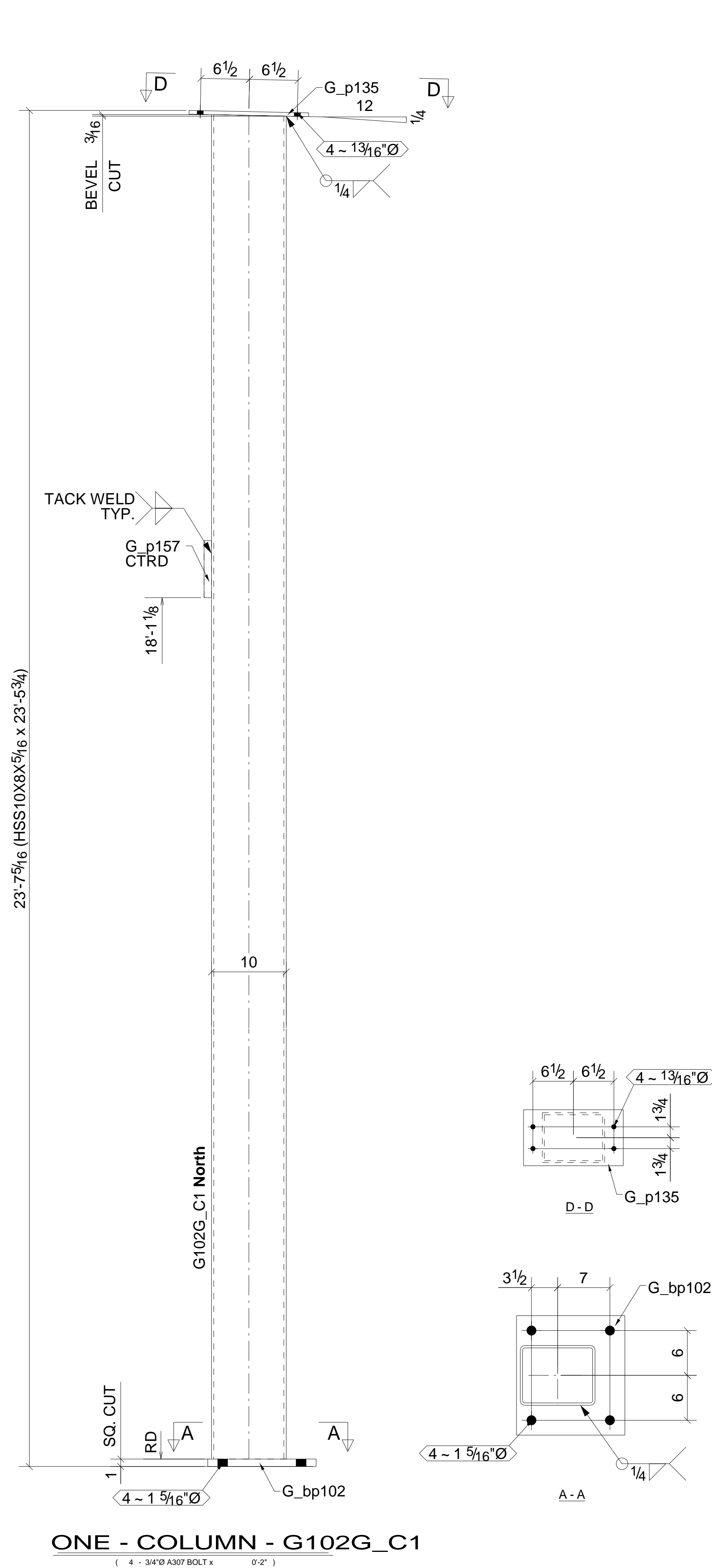
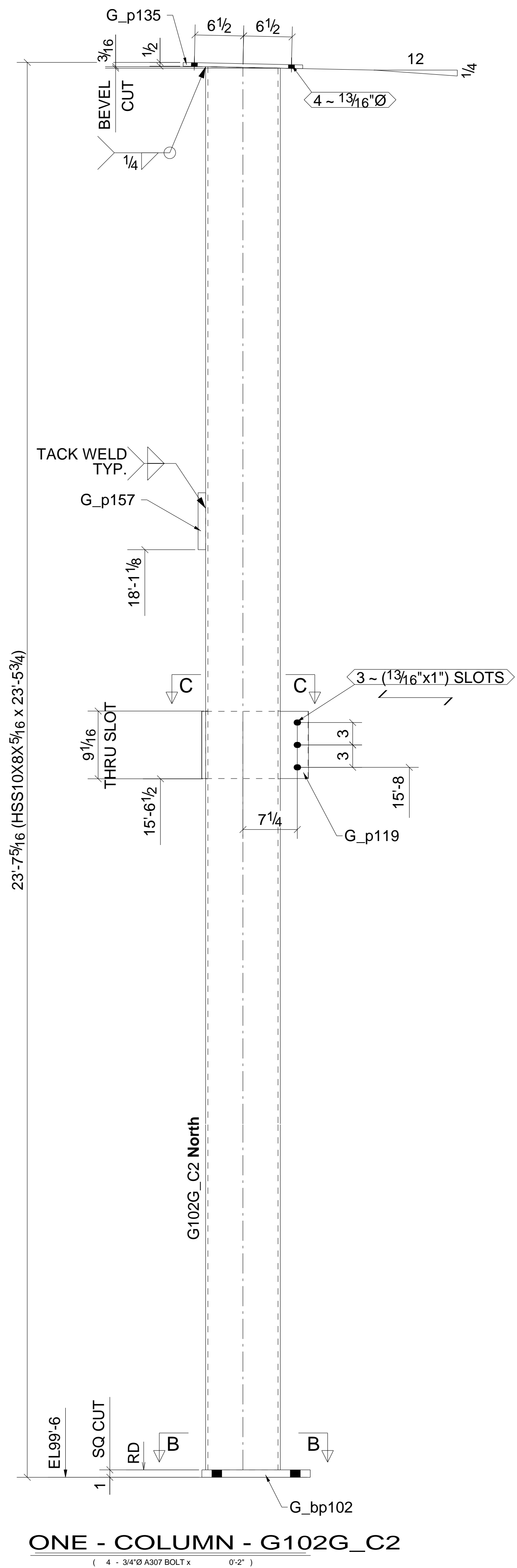
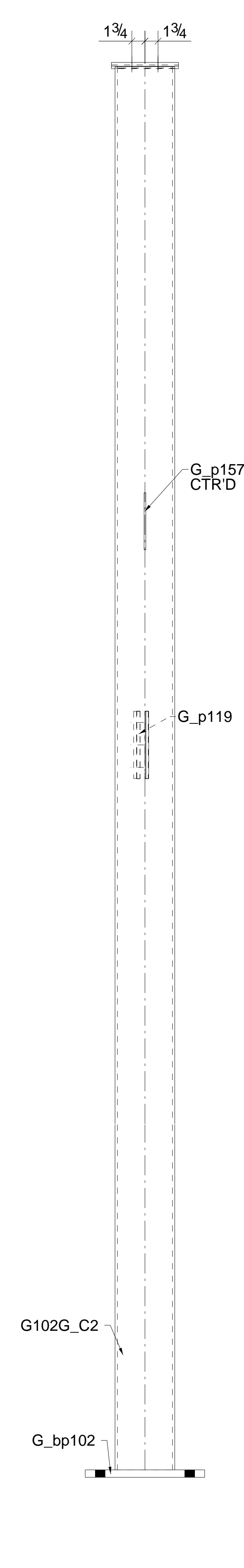


BILL OF MATERIAL

LINE #	QTY	PC MARK	DESCRIPTION	LENGTH	REMARKS	WEIGHT		ADVANCE
						TOTAL	MILL#	
1	G102G_C1		COLUMN					
			HSS10X8X5/16	23'-5.3/4"	A500-GR.C		793	
1	G_bp102		PL1"x14 1/2"	1'-4"	A36		66	
1	G_p135		PL1/2"x9"	1'-4"	A36		20	
1	G_p157		PL1/4"x1"	0'-7.5/8"	A36		1	
4			3/4"Ø A307 BOLT	0'-2"	Site			
#	TOTAL	MARK	DESCRIPTION		REMARKS	TOTAL		MILL#
1	G102G_C2		COLUMN					
			HSS10X8X5/16	23'-5.3/4"	A500-GR.C		793	
1	G_bp102		PL1"x14 1/2"	1'-4"	A36		66	
1	G_p119		PL3/8"x9"	1'-2.3/8"	A36		14	
1	G_p135		PL1/2"x9"	1'-4"	A36		20	
1	G_p157		PL1/4"x1"	0'-7.5/8"	A36		1	
4			3/4"Ø A307 BOLT	0'-2"	Site			
TOTAL WEIGHT THIS DRAWING							1773	



ONE - COLUMN - G102G_C1
(4 - 3/4"Ø A307 BOLT x 0'-2")



ONE - COLUMN - G102G_C2
(4 - 3/4"Ø A307 BOLT x 0'-2")

