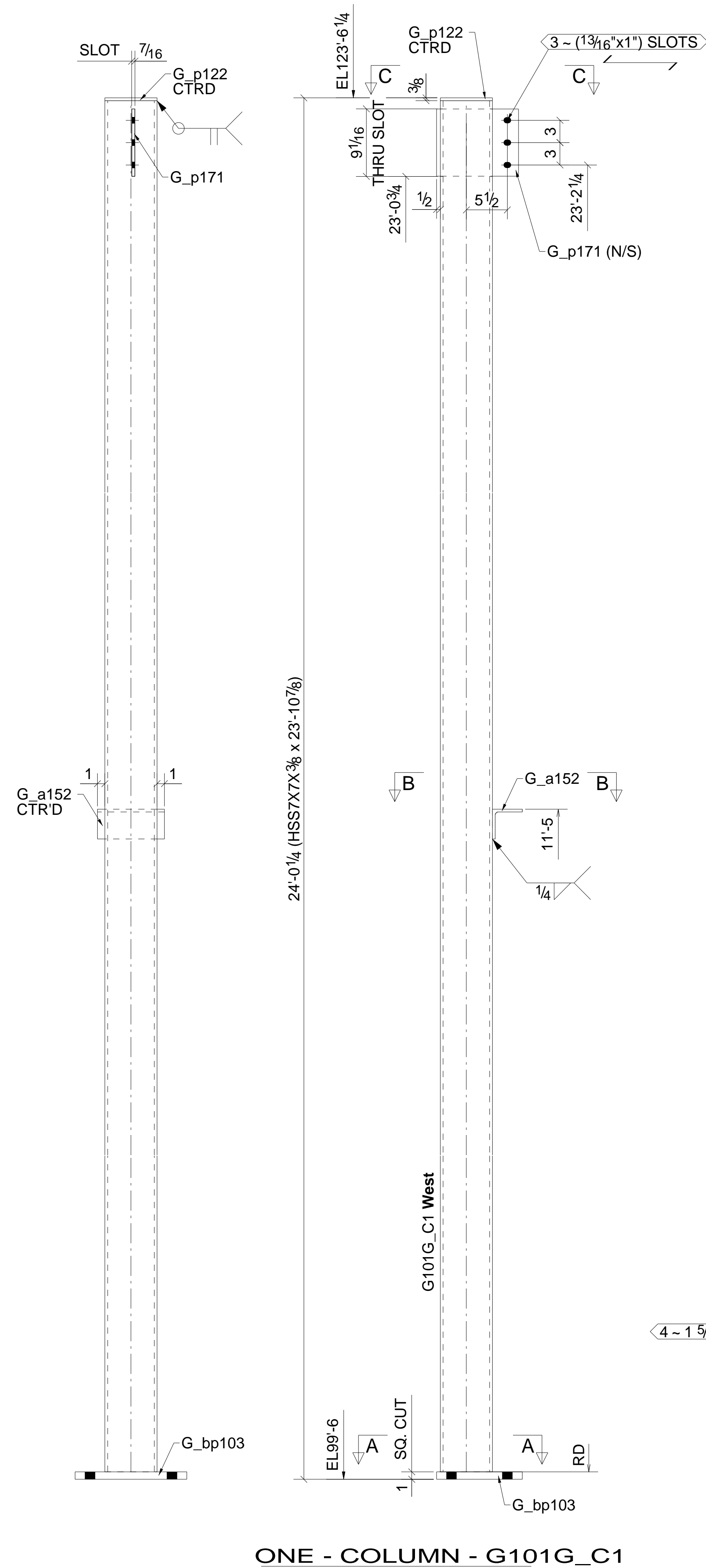
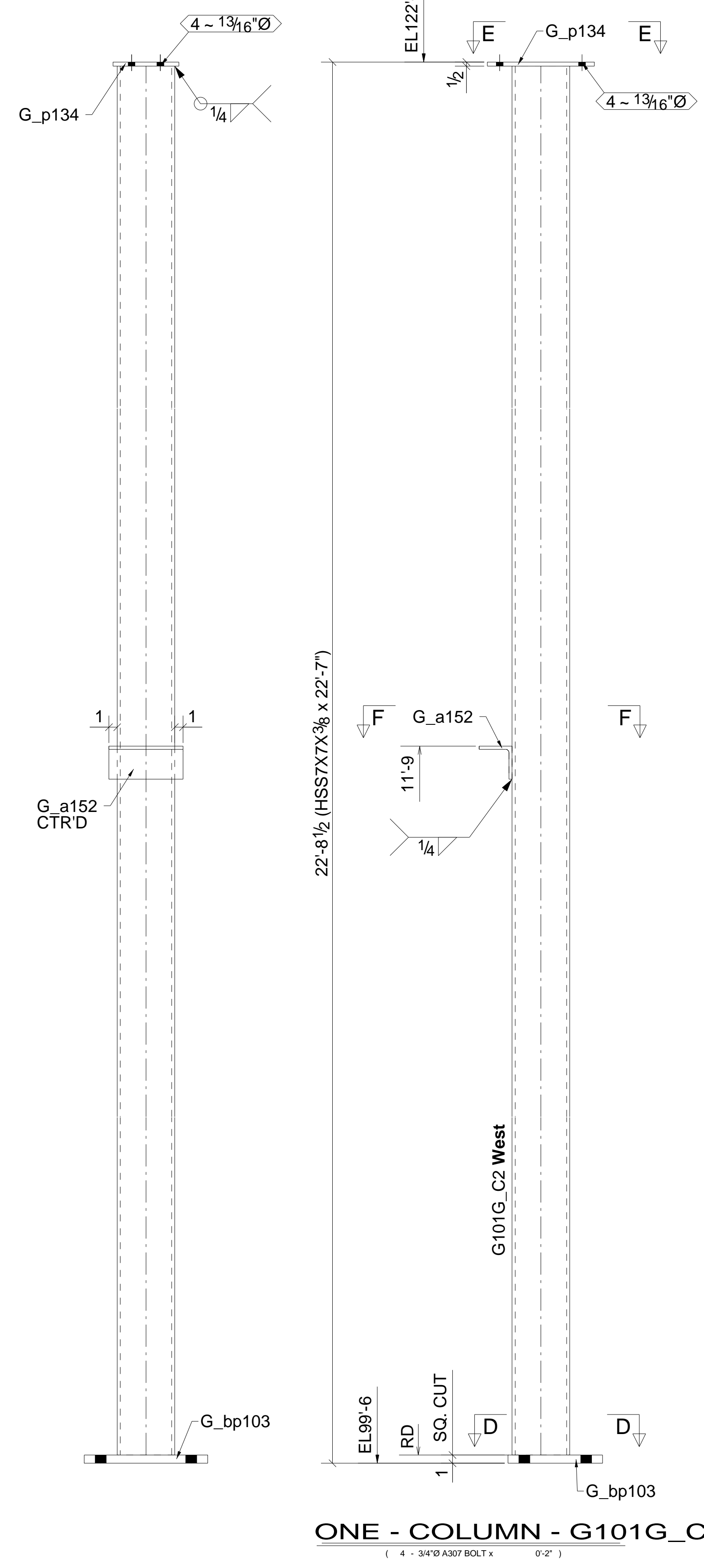


# BILL OF MATERIAL

LINE #	QTY	PC MARK	DESCRIPTION	LENGTH	REMARKS	WEIGHT	ADVANCE
1	G101G_C1		COLUMN				
1	G101G_C1		HSS7X7X3/8	23'-10 7/8"	A500-GR.C	730	
1	G_a152		L4X4X3/8	0'-9"	A36	7	
1	G_bp103		PL1'X11 1/2"	1'-3"	A36	49	
1	G_p122		PL3/8"X7"	0'-7"	A36	5	
1	G_p171		PL3/8"X9"	0'-11"	A36	11	
# TOTAL	MARK		DESCRIPTION		REMARKS	TOTAL	MILL#
1	G101G_C2		COLUMN				
1	G101G_C2		HSS7X7X3/8	22'-7"	A500-GR.C	689	
1	G_a152		L4X4X3/8	0'-9"	A36	7	
1	G_bp103		PL1'X11 1/2"	1'-3"	A36	49	
1	G_p134		PL1/2"X8"	1'-1"	A36	15	
4			3/4"Ø A307 BOLT	0'-2"	Site		
TOTAL WEIGHT THIS DRAWING						1562	



ONE - COLUMN - G101G\_C1



ONE - COLUMN - G101G\_C2

