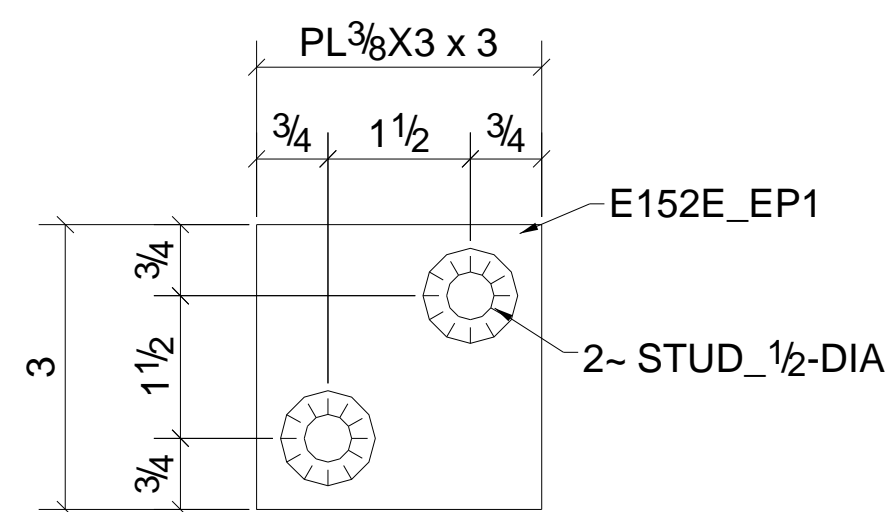
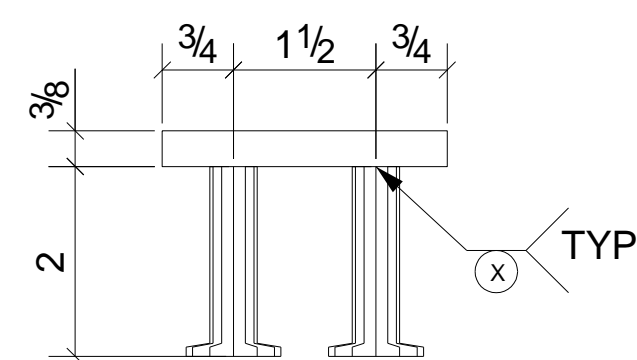


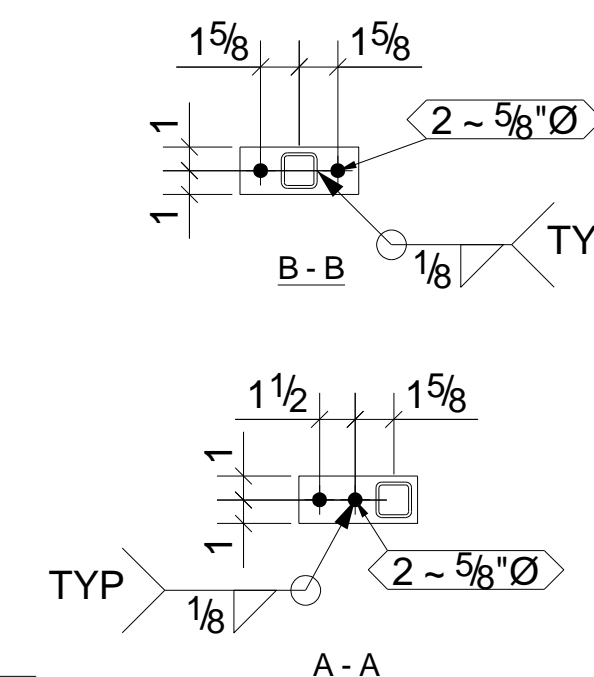
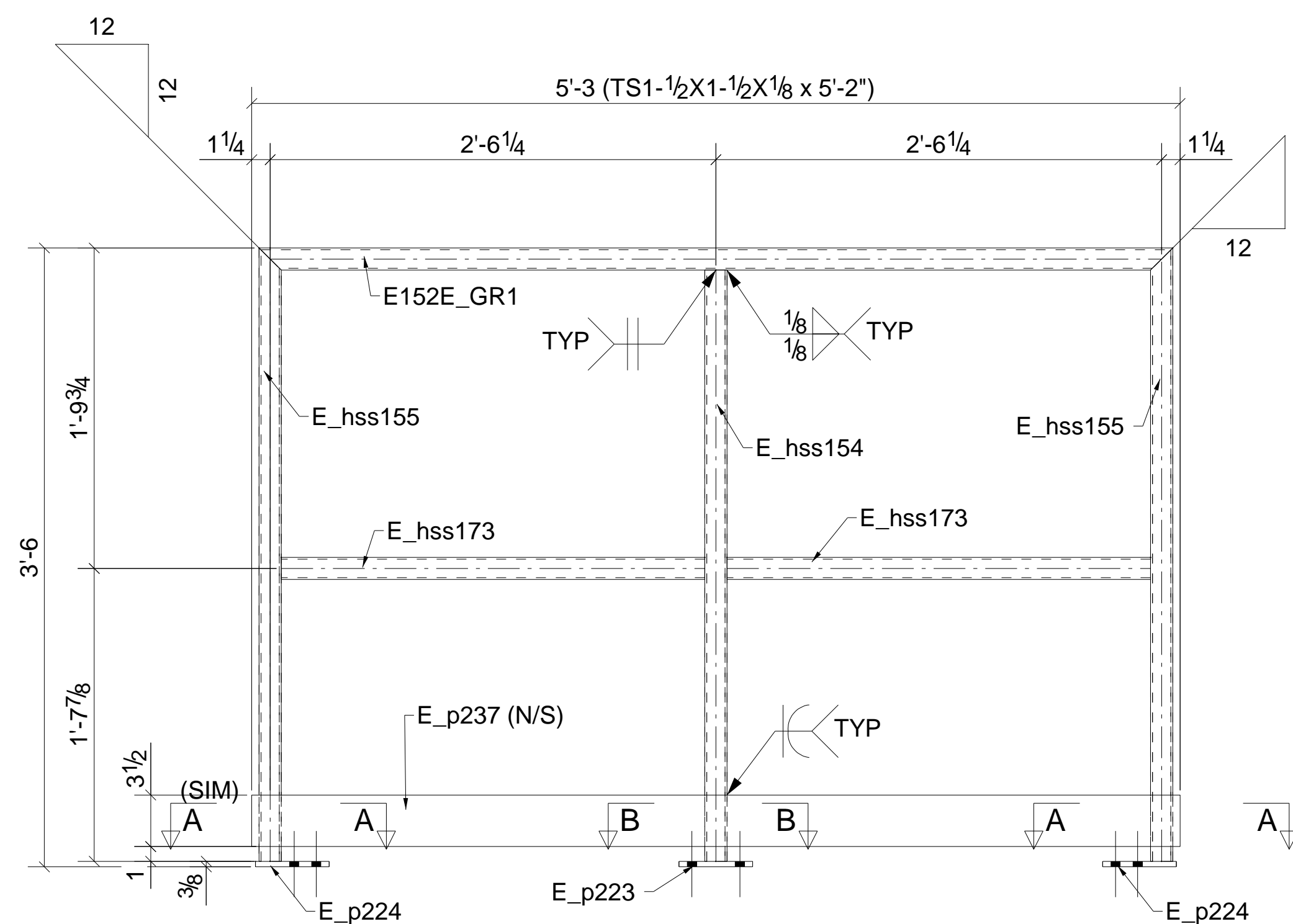
BILL OF MATERIAL

LINE #	QTY	PC	DESCRIPTION	LENGTH	REMARKS	WEIGHT	ADVANCE
4	E152E_EP1	EMBED PLATES					
4	E152E_EP1	PL3/8"X3"		0'-3"	A36	4	
8	E_x101	STUD_1/2-DIA		0'-2"		1	
#	TOTAL	MARK	DESCRIPTION	LENGTH	REMARKS	TOTAL	MILL#
1	E152E_GR1	GUARD RAIL					
1	E152E_GR1	TS1-1/2X1-1/2X1/8		5'-2"	GALV. A500-GR.B	11	
1	E_hss154	TS1-1/2X1-1/2X1/8		3'-4 1/8"	GALV. A500-GR.B	7	
2	E_hss155	TS1-1/2X1-1/2X1/8		3'-5 5/8"	GALV. A500-GR.B	14	
2	E_hss173	TS1-1/2X1-1/2X1/8		2'-4 3/4"	GALV. A500-GR.B	10	
1	E_p223	PL3/8"X2"		0'-5"	GALV. A36	1	
2	E_p224	PL3/8"X2"		0'-5"	GALV. A36	2	
1	E_p237	PL3/8"X3 1/2"		5'-3"	GALV. A36	23	
6	1/2"Ø EPOXY_ANC BOLT			0'-4 1/2"	Site		
TOTAL WEIGHT THIS DRAWING							73



4 - EMBED PLATES - E152E_EP1

NO PAINT



ONE - GUARD RAIL - E152E_GR1

(6 - 1/2"Ø EPOXY_ANC BOLT 0'-4 1/2")

GALV