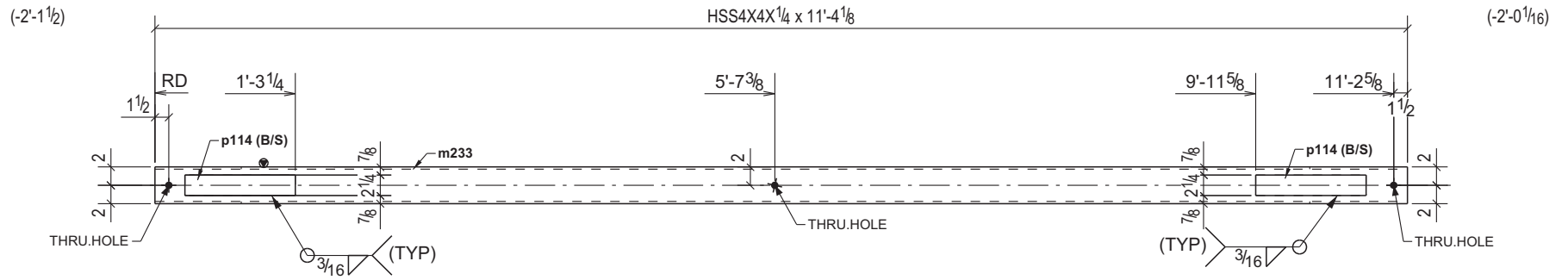
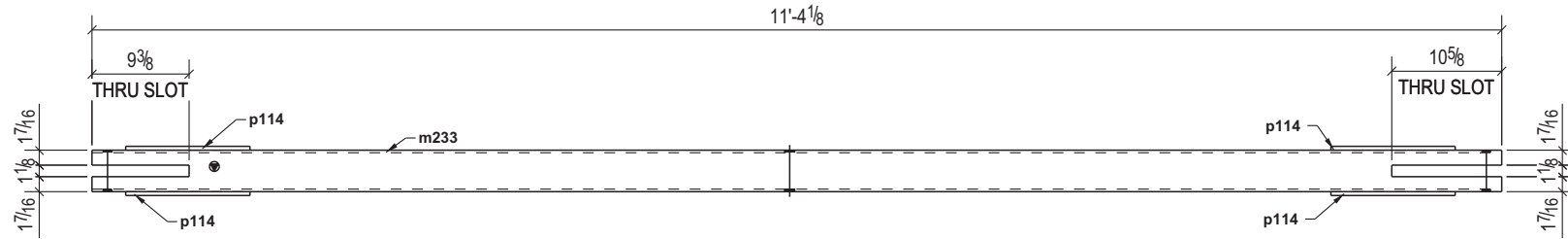


GRID LOCATION	BOTTOM ELEVATION
AB-AA/A3	41'-3"9/16
AB-AA/A6	41'-3"9/16



2 - V.BRACINGS - VBR22

Ref: E14

B	Re-issued for Approval	03-24-2014	S.Patel	K.P
REV.	DESCRIPTION	DATE	DWN	CHK

BILL OF MATERIAL

QTY	ASSEMBLY MARK	PIECE MARK	TYPE	SIZE	LENGTH	NOTES	FINISH	GRADE
2	VBR22		M	HSS4X4X1/4	11'-4 1/8"			A500-GR.B
8		p114		PL3/8"X2 1/4"	1'-0"			A572-GR.50