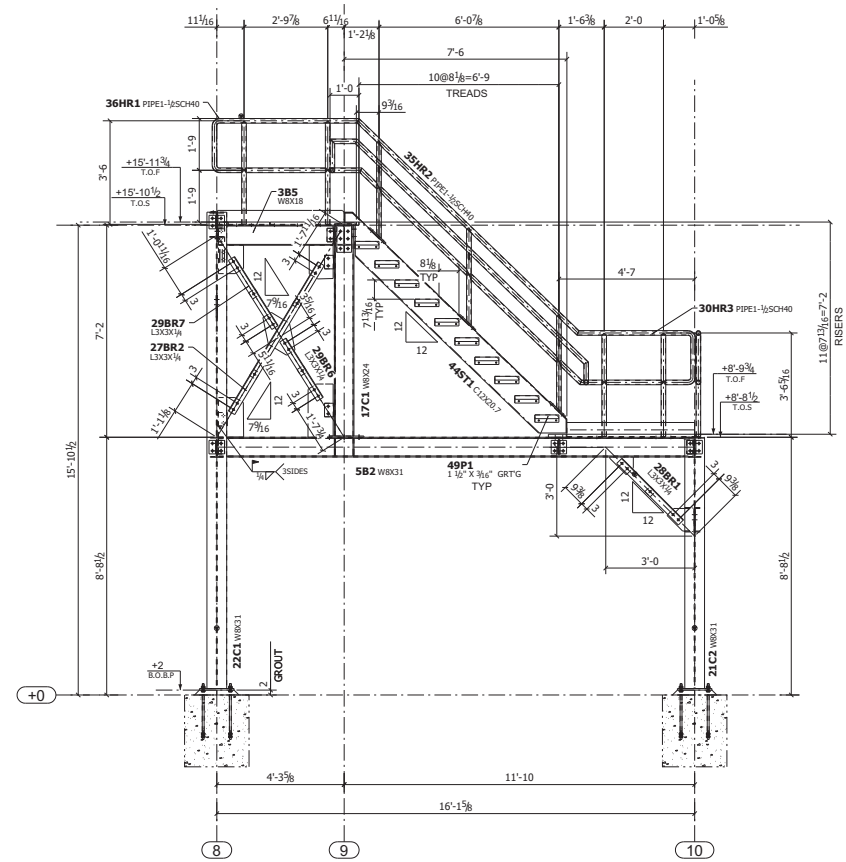


L - L
E2



M - M
E2

REV.NO	DATE	DESCRIPTION	BY
B	10/23/13	ISSUED FOR RE-APPROVAL	VBM
A	10/11/13	ISSUED FOR APPROVAL	VBM

- 1 (O-H) = OPPOSITE HAND
- 2 (T.O.F) = TOP OF FLOOR
- 3 (T.O.S) = TOP OF STEEL
- 4 (N.T.S) = NOT IN SCALE
- 5 (U.N.O) = UNLESS NOTED OTHERWISE
- 6 Ⓞ = ORIENTATION MARK

UNLESS NOTED OTHERWISE
 WELDS : E70XX1/4" FILLET
 BOLTS : 3/4" A-325N
 HOLES : 13/16"