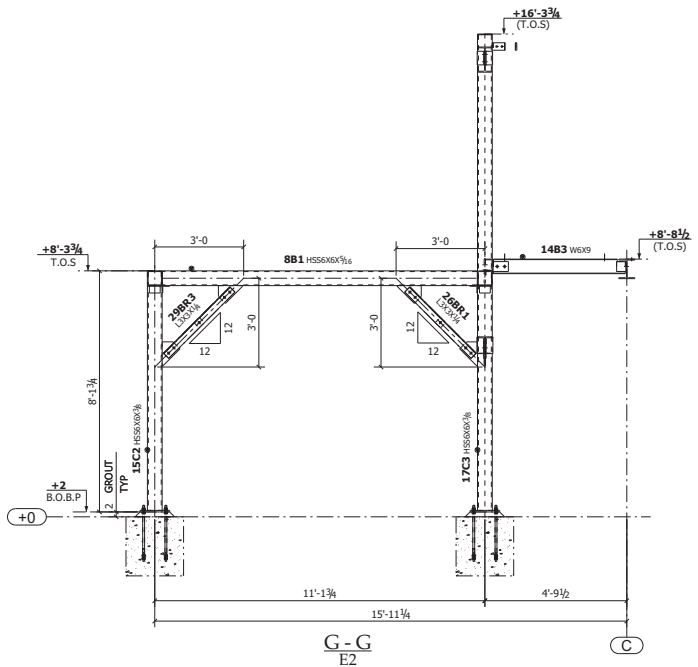
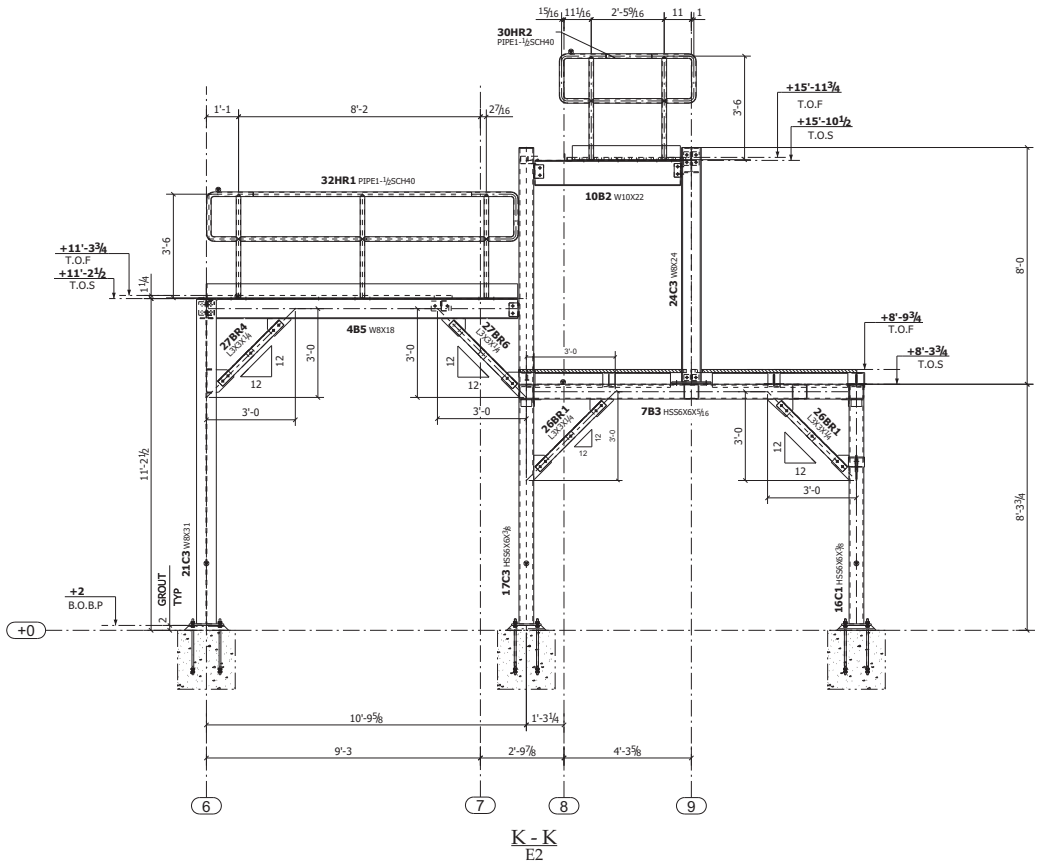
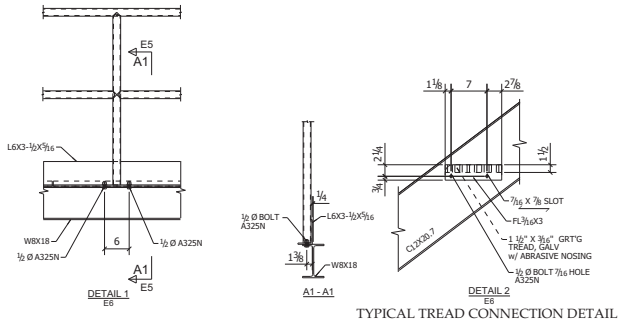


J - J
E2
(Ref. section 2/S.106)



G - G
E2



TYPICAL TREAD CONNECTION DETAIL

UNO COLUMN, BEAM & BRACING ASSEMBLY MARKS REF. DWG.NO.E2
(LOWER PLATFORM FRAMING PLAN)
UNO HANDRAIL & STRINGER ASSEMBLY MARK REF. DWG.NO.E8

REV.NO	DATE	DESCRIPTION	BY
B	10/23/13	ISSUED FOR RE-APPROVAL	VBM
A	10/11/13	ISSUED FOR APPROVAL	VBM

- LEGEND:**
- 1 (O-H) = OPPOSITE HAND
 - 2 (T.O.F) = TOP OF FLOOR
 - 3 (T.O.S) = TOP OF STEEL
 - 4 (N.T.S) = NOT IN SCALE
 - 5 (U.N.O) = UNLESS NOTED OTHERWISE
 - 6 = ORIENTATION MARK

UNLESS NOTED OTHERWISE
WELDS : E70XX1/4" FILLET
BOLTS : 3/4" A-325N
HOLES : 13/16"