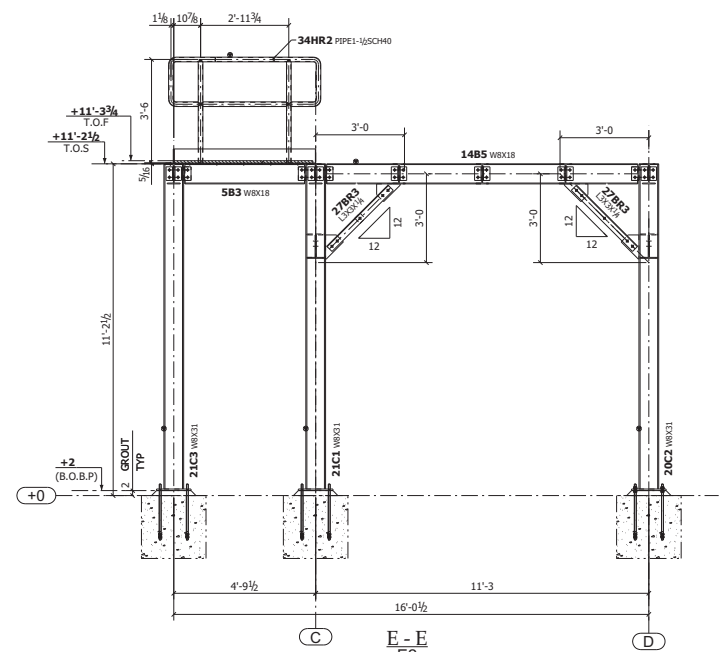
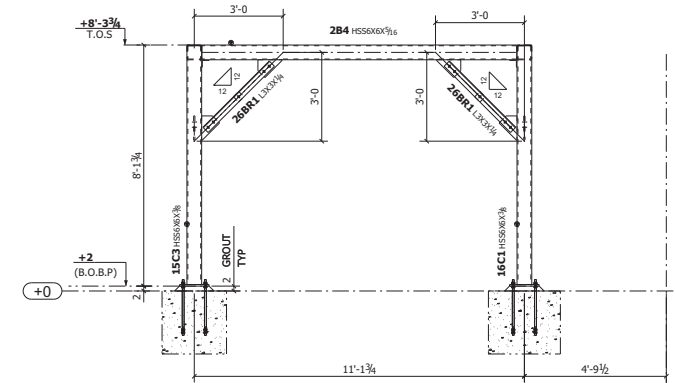


F - F
E2
(Ref. section 5/S.106)



E - E
E2
(Ref. section 4/S.106)



H - H
E2

UNO COLUMN BEAM & BRACING ASSEMBLY MARKS REF.DWG.NO.E2
(LOWER PLATFORM FRAMING PLAN)
UNO HANDRAIL ASSEMBLY MARK REF. DWG.NO.E8

REV.NO	DATE	DESCRIPTION	BY
B	10/23/13	ISSUED FOR RE-APPROVAL	VBM
A	10/11/13	ISSUED FOR APPROVAL	VBM

LEGEND:
 1 (O-H) = OPPOSITE HAND
 2 (T.O.F) = TOP OF FLOOR
 3 (T.O.S) = TOP OF STEEL
 4 (N.T.S) = NOT IN SCALE
 5 (U.N.O) = UNLESS NOTED OTHERWISE
 6 (O) = ORIENTATION MARK

UNLESS NOTED OTHERWISE
 WELDS : E70XX1/4" FILLET
 BOLTS : 3/4" A-325N
 HOLES : 13/16"