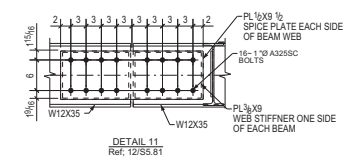
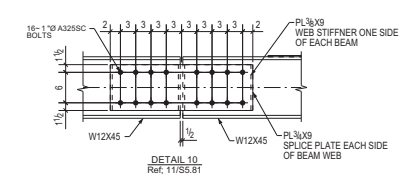
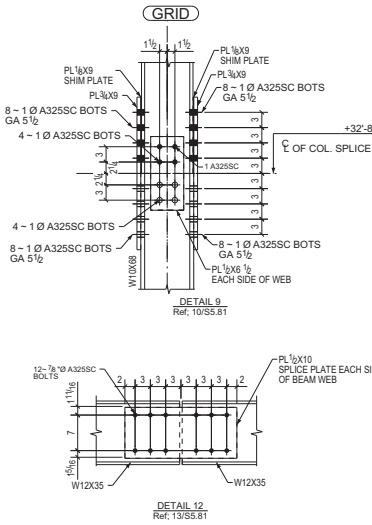
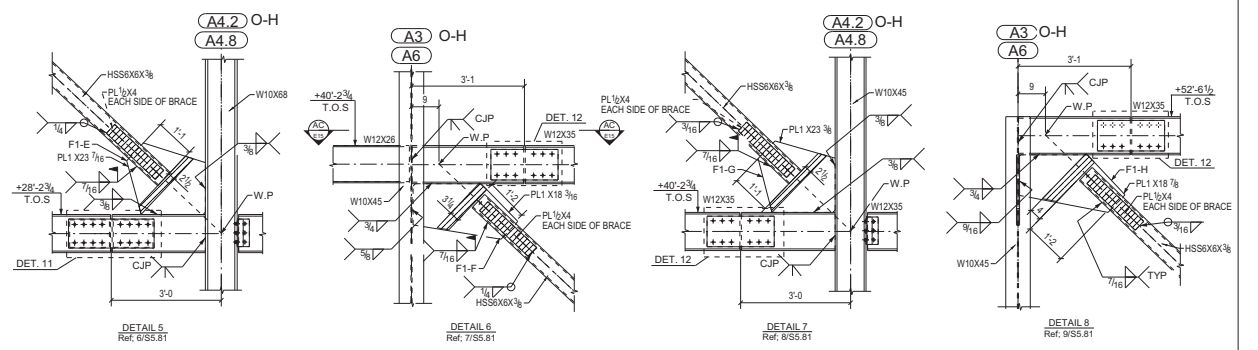
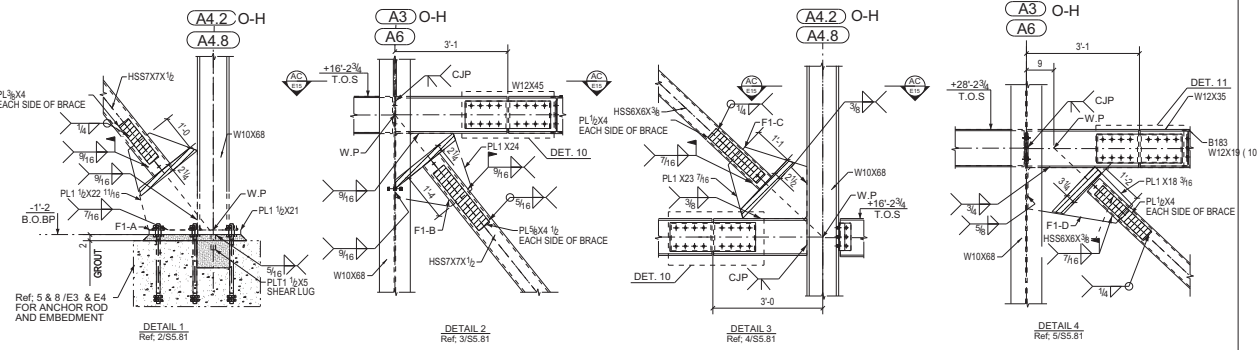


FRAME 1
Ref: 17/SS.81

FRAME 1 (O-H)
Ref: 17/SS.81



INDICATE PROTECTED ZONE AS PER AISC 341 SECTION 15.9 AND 7.4
Ref: E14 FOR PROTECTED ZONE NOTES

B100 = ASSEMBLY MARK
W12X26(10) = PROFILE (NO. OF STUD)

LEGEND:
1, EL. = ELEVATION
2, T.O.S = TOP OF STEEL
3, ⊙ = ORIENTATION MARK

REV.	DESCRIPTION	DATE	BY	CHK
B	Re-issued for Approval	03-24-2013	S.Patel	K.P.