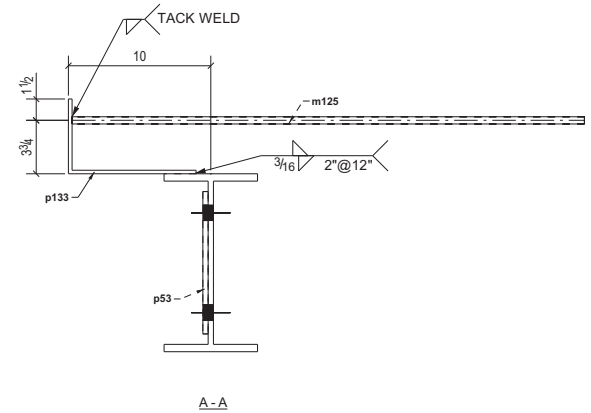
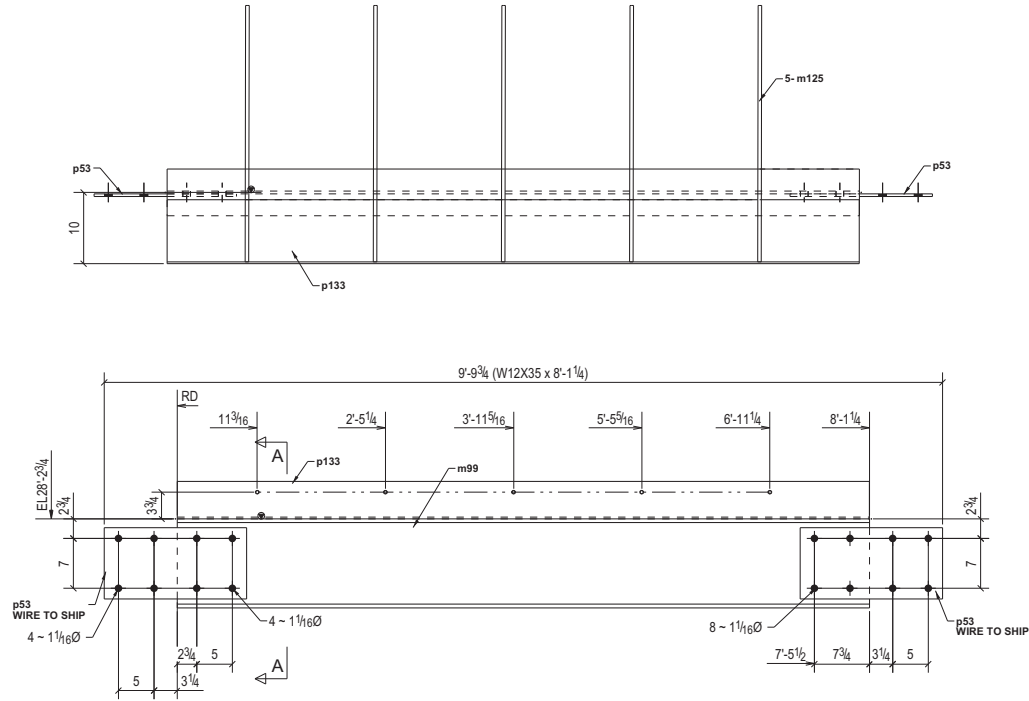


GRID LOCATION	BOTTOM ELEVATION
AD/A8-A7	27'-2"1/4



ONE - BEAM - B1

Ref: E07

B	Re-issued for Approval	03-24-2014	S.Patel	K.P
REV.	DESCRIPTION	DATE	DWN	CHK

BILL OF MATERIAL

QTY	ASSEMBLY MARK	PIECE MARK	TYPE	SIZE	LENGTH	NOTES	FINISH	GRADE
1	B1		I	W12X35	8'-1 1/4"			A992
5		m125		ROD1/2"	3'-0"			A36
2		p53		PL3/8"X10"	1'-8"			A36
1		p133		FLT1/4"X14"	8'-1 1/4"			A36