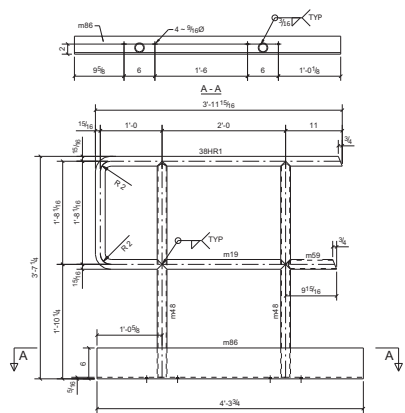
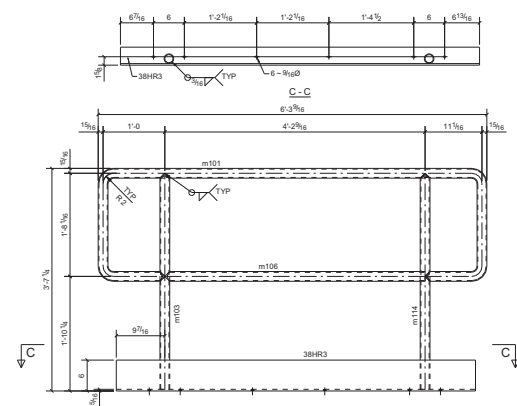


ONE - HANDRAIL - 38HR2



ONE - HANDRAIL - 38HR1



ONE - HANDRAIL - 38HR3

BILL OF MATERIAL					
MARK	QTY	DESCRIPTION	LENGTH	WEIGHT	REMARKS
38HR1	1				SO-2
m86	1	PIPE-1/2SCH40	6'-5 5/8"	0	AS3 GR.B
m88	1	PIPE-1/2SCH40	2'-0"	0	AS3 GR.B
m89	2	PIPE-1/2SCH40	3'-4"	0	AS3 GR.B
m89	1	PIPE-1/2SCH40	0'-9 15/16"	0	AS3 GR.B
m88	1	LK3-12X5/16	4'-3 3/4"	42	AS8
38HR2	1				REV-2
m29	1	PIPE-1/2SCH40	12'-8 1/8"	0	AS3 GR.B
m18	3	PIPE-1/2SCH40	4'-2 1/8"	0	AS3 GR.B
m28	1	PIPE-1/2SCH40	3'-4 1/8"	0	AS3 GR.B
m51	3	PIPE-1/2SCH40	3'-3 5/8"	0	AS3 GR.B
m54	1	PIPE-1/2SCH40	0'-11 13/16"	0	AS3 GR.B
m81	1	PIPE-1/2SCH40	0'-5 7/16"	0	AS3 GR.B
m82	1	PIPE-1/2SCH40	0'-5 5/8"	0	AS3 GR.B
p17	4	FL17X3"	0'-0"	15	AS8
38HR3	1				SO-2
m10	1	LK3-12X5/16	0'-2 13/16"	27	AS8
m101	1	PIPE-1/2SCH40	11'-3 3/8"	0	AS3 GR.B
m103	1	PIPE-1/2SCH40	3'-4"	0	AS3 GR.B
m108	1	PIPE-1/2SCH40	4'-2 3/8"	0	AS3 GR.B
m114	1	PIPE-1/2SCH40	3'-4"	0	AS3 GR.B
TOTAL WEIGHT THIS DRAWING				114	

A	ISSUED FOR APPROVAL	VBM	SP	10/23/13
NO.	REVISION	BY	CHK	DATE