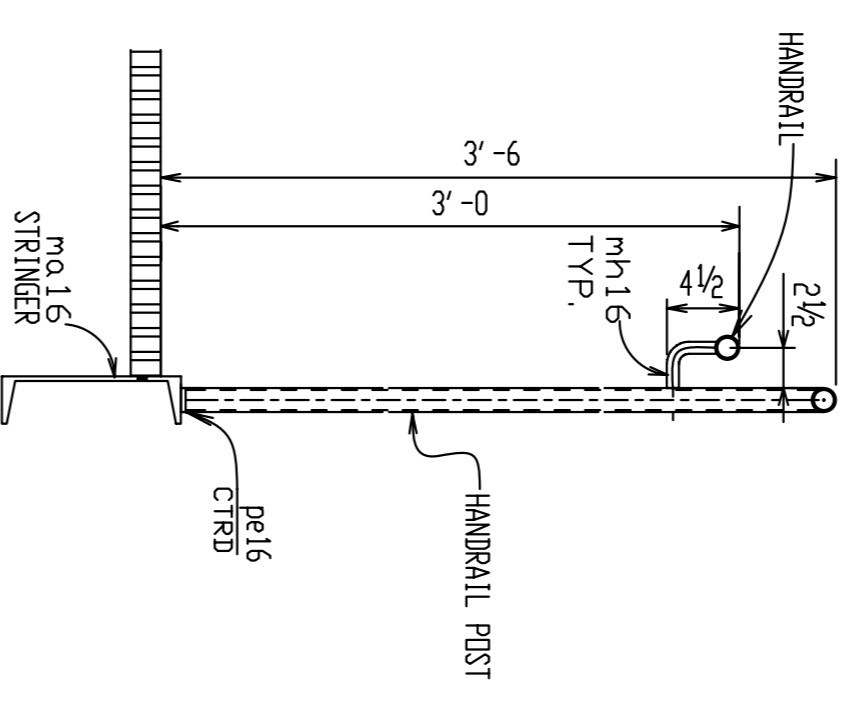
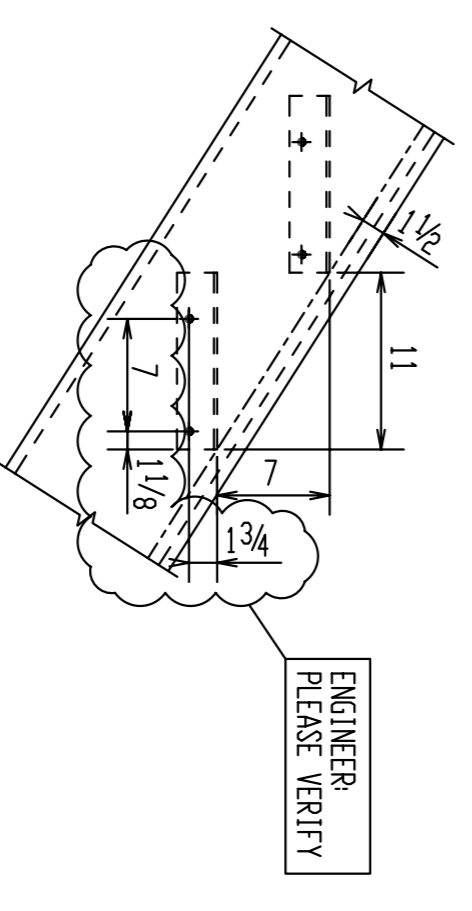


BILL OF MATERIAL				REMARKS	PAGE & ITEM
QTY ON JOB	QTY ON DET.	SHAPE	LENGTH FT. IN.	MARK	
2	2	STRINGER	14 3/4	16ST1 R	
2	2	C12X20.7	17 7/8	ma16	
2	2	L3X3X1/4	0 3	aa16	
2	8	ROD3/4"	0 5 1/16	mg16	
2	8	ROD3/4"	0 5	mh16	
6	2	1 1/2 Ø PIPE	3 3 5/16	nh16	
2	2	1 1/2 Ø PIPE	3 3	mh16	
16	16	1 1/2 Ø PIPE	4 1/2	mc16	
4	4	1 1/2 Ø PIPE	0 6 1/4	md16	
2	2	1 1/2 Ø PIPE	20 4 7/16	me16	
2	2	1 1/2 Ø PIPE	20 7 1/2	mf16	
2	2	PLT 1 1/2 X 1/4	0 3	pa16	
8	8	PLT 2 1/2 X 1/4	0 6	pb16	
2	2	PLT 3 X 1/4	0 6 3/8	pb16	
2	2	PLT 4 X 3/8	0 6	pc16	
2	2	PLT 2 1/3 1/8 X 1/4	0 3	pd16	



TYPICAL HANDRAIL CONNECTION SECTION 1-1



TYP. DETAIL-1

SAMPLE DRAWING

APPROVAL	GC	06/11/09	DATE	QTY
ISSUED FOR	TO	DATE		